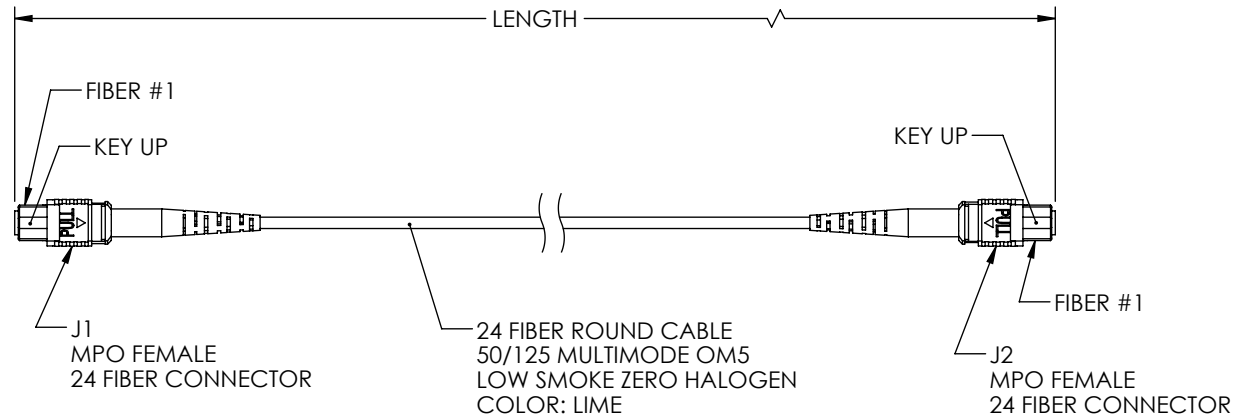


REVISIONS			
REV	DESCRIPTION	DATE	APPROVED
B	ECN 9809: REVISED WIRE MAP TO 24 FIBER, TYPE B	04/25/2019	PHOSPODAR



WIRING MAP TYPE B		
J1	COLOR	J2
1	BLUE	12
2	ORANGE	11
3	GREEN	10
4	BROWN	9
5	GRAY	8
6	WHITE	7
7	RED	6
8	BLACK	5
9	YELLOW	4
10	PURPLE	3
11	ROSE	2
12	AQUA	1
13	BLUE/BLACK	24
14	ORANGE/BLACK	23
15	GREEN/BLACK	22
16	BROWN/BLACK	21
17	GRAY/BLACK	20
18	WHITE/BLACK	19
19	RED/BLACK	18
20	BLACK / WHITE	17
21	YELLOW/BLACK	16
22	PURPLE/BLACK	15
23	ROSE/BLACK	14
24	AQUA/BLACK	13



PART NUMBER	METERS [FEET]
MPFF24OM5BZ-1	1.0 [3.28]
MPFF24OM5BZ-3	3.0 [9.84]
MPFF24OM5BZ-5	5.0 [16.40]
MPFF24OM5BZ-10	10.0 [32.81]
MPFF24OM5BZ-25	25.0 [82.02]
MPFF24OM5BZ-50	50.0 [164.04]
MPFF24OM5BZ-100	100.0 [328.08]

THESE COMMODITIES, TECHNOLOGY OR SOFTWARE WERE EXPORTED FROM THE UNITED STATES IN ACCORDANCE WITH THE EXPORT ADMINISTRATION REGULATIONS. DIVERSION CONTRARY TO U.S. LAW PROHIBITED.

UNLESS OTHERWISE SPECIFIED LEADING DIMENSIONS ARE INCHES DIMENSIONS IN [ ] ARE MILLIMETERS  <b>TOLERANCES:</b> .X=± .2 [5.08]    FRACTIONS .XX=± .01 [ .25]    ± 1/32 .XXX=± .005 [ .13]    ANGLES ± 1°  ALL DIMENSIONS SHOWN ARE FOR REFERENCE ONLY.  THIRD-ANGLE PROJECTION	 <b>an INFINITO brand</b> 50 High Street, West Mill, 3rd Floor, Suite #30 North Andover, MA 01845 USA. Phone: 1.800.341.5266   1.978.682.6936 Fax: 1.978.689.9484 www.L-com.com   e-mail: CustomerService@L-com.com		THE INFORMATION AND DESIGN IN THIS DOCUMENT IS THE PROPERTY OF L-COM GLOBAL CONNECTIVITY. ALL RIGHTS RESERVED.
			SHEET 1 OF 1  SCALE N/A
SIZE A CAGE 43321 DRAWN BY DZINN	PART NUMBER MPFF24OM5BZ	REV B	