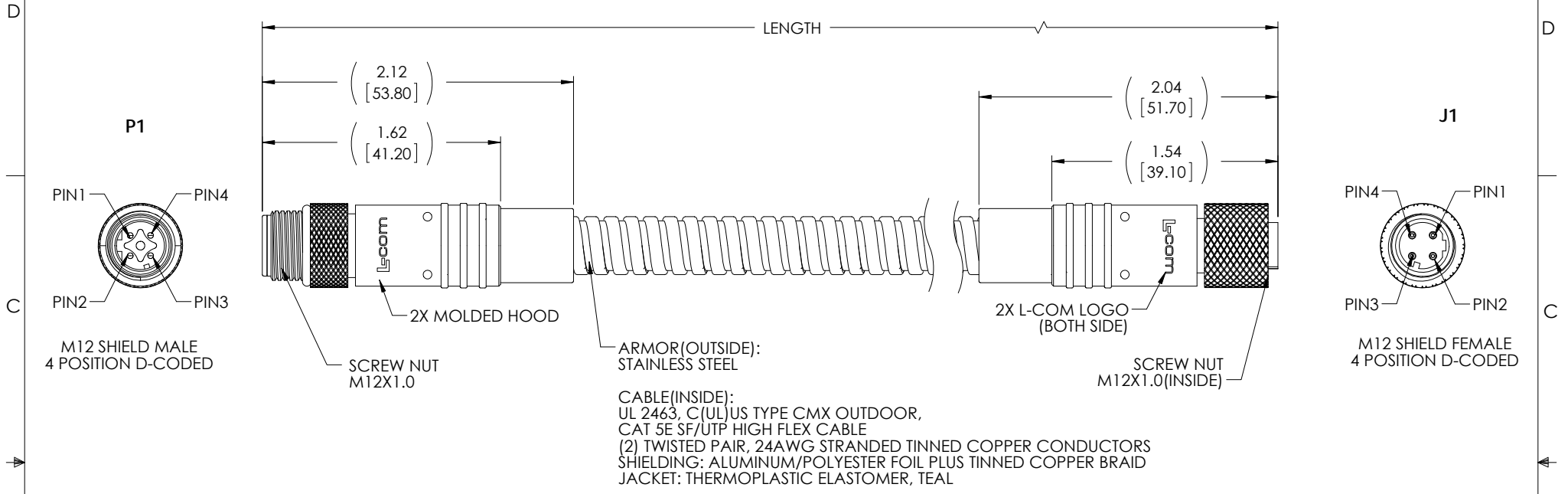


THE INFORMATION CONTAINED IN THIS DRAWING IS THE SOLE PROPERTY OF L-COM, INC. ANY REPRODUCTION IN PART OR WHOLE WITHOUT THE WRITTEN PERMISSION OF L-COM, INC. IS PROHIBITED.

REVISIONS			
REV	DESCRIPTION	DATE	APPROVED
A	INITIAL RELEASE	8/30/16	D.GRIFFIN



CABLE(INSIDE):
 UL 2463, C(UL)US TYPE CMX OUTDOOR,
 CAT 5E SF/UTP HIGH FLEX CABLE
 (2) TWISTED PAIR, 24AWG STRANDED TINNED COPPER CONDUCTORS
 SHIELDING: ALUMINUM/POLYESTER FOIL PLUS TINNED COPPER BRAID
 JACKET: THERMOPLASTIC ELASTOMER, TEAL

NOTES

MATERIAL:
 MOLDED HOOD: THERMOPLASTIC POLYURETHANE, BLACK
 INSULATOR: NYLON, BLACK
 SHELL/SCREW NUT: BRASS, NICKEL PLATE
 CONTACTS: PHOSPHOR BRONZE, 15µ" MIN. GOLD PLATE
 ARMOR COUPLER: BRASS, NICKEL PLATE

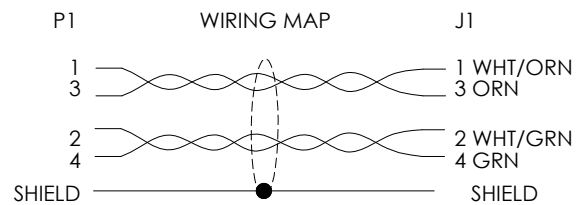
ELECTRICAL:
 NOMINAL VOLTAGE RATING: 250 VAC/VDC
 MAX CURRENT: 4A

APPLICATION:
 INGRESS PROTECTION RATING IS IP68 (MATED).
 METAL ARMOR CRUSH RESISTANCE: 1500 PSI (MIN).

ENVIRONMENTAL:
 OPERATING TEMPERATURE RANGE: -40°C TO +80°C
 CABLE JACKET RESISTANCE: OIL, SUNLIGHT, AND WELD SPLATTER RESISTANT

MISCELLANEOUS
 CABLE ASSEMBLIES TO BE TESTED FOR CONTINUITY
 CABLE ASSEMBLY SHALL BE INDIVIDUALLY PACKAGED IN
 ACCORDANCE WITH L-COM SPECIFICATION PS-0031.

REGULATORY COMPLIANCE:
 CE2011/65/EU(RoHS DIRECTIVE)



PART NUMBER	LENGTH	
	FEET	METERS
TRG502-T4S-1M	3.28	1.0
TRG502-T4S-2M	6.56	2.0
TRG502-T4S-3M	9.84	3.0
TRG502-T4S-5M	16.41	5.0
TRG502-T4S-10M	32.82	10.0

UNLESS OTHERWISE SPECIFIED, DIMENSIONS ARE IN INCHES [mm] OVERALL CABLE LENGTH TOLERANCE: ≤12 [305] = +1 [25] / -0 >12 [305] ≤60 [1524] = +2 [51] / -0 >60 [1524] ≤120 [3048] = +4 [102] / -0 >120 [3048] ≤300 [7620] = +6 [152] / -0 >300 [7620] = +5% / -0% ALL OTHER DIMENSIONAL TOLERANCES: .X = ± .2 [5.08] .XX = ± .02 [51] .XXX = ± .005 [1.27]	APPROVALS DRAWN BY D. CUI CHECKED BY D. DESJARDIN APPROVED BY D. GUTSDAURO	DATE 02/24/16 03/10/16 03/10/16	50 HIGH STREET NORTH ANDOVER, MA 01845	
	CONFIGURATION DETAILS OF UNDIMENSIONED FEATURES MAY VARY		CATEGORY TELECOM/MODULAR	
	PROJECTION 		PRODUCT DESCRIPTION C5E M12D M/F TPE 24 MTL	
	COLOR VARIATIONS MAY OCCUR	SIZE A	FSCM NO. 43321	DWG. NO. TRG502-T4S