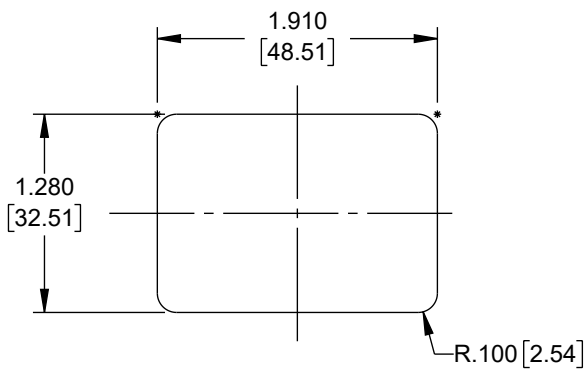
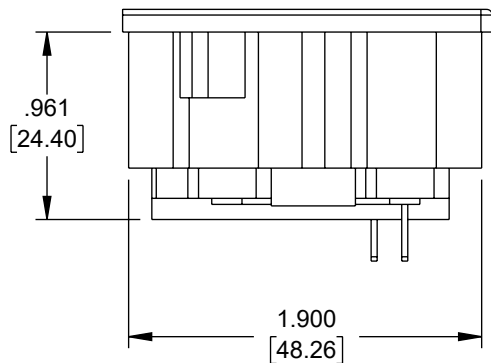
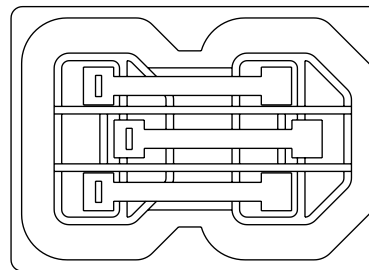
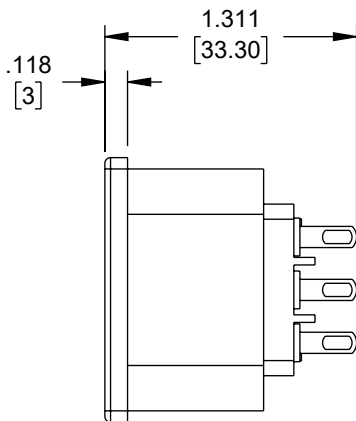
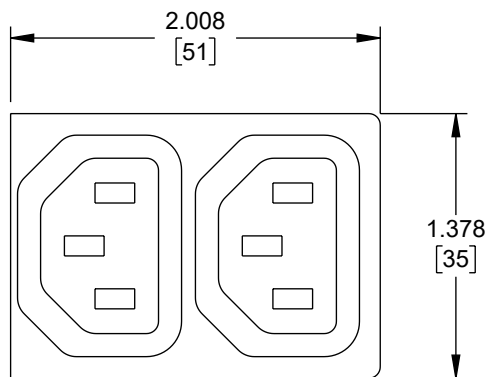
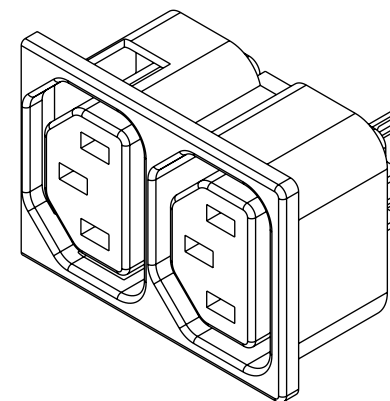


THE INFORMATION CONTAINED IN THIS DRAWING IS THE SOLE PROPERTY OF L-COM, INC. ANY REPRODUCTION IN PART OR WHOLE WITHOUT THE WRITTEN PERMISSION OF L-COM, INC. IS PROHIBITED.

REVISION					
ZONE	REV	DESCRIPTION	DATE	CHANGED BY	APPROVED
	A	INITIAL RELEASE	09/22/2023	PSRINIVAS	DREBECK



FIXING DETAILS



NOTES:-

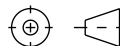
- CONNECTOR TYPE: 60320-2-2/F
- RATING: 10A, 250VAC
- FEATURES: 2X OUTLETS SNAP IN PANEL MOUNT SOLDER TAB TERMINATIONS
- PACKAGING NOTE: ITEM SHALL BE INDIVIDUALLY PACKAGED, LABEL PER ILS-100
- ALL DIMENSIONS FOR REFERENCE ONLY

UNLESS OTHERWISE SPECIFIED, DIMENSIONS ARE IN INCHES [mm]

OVERALL CABLE LENGTH TOLERANCE:  
 ≤12 [305] = +1 [25] / -0  
 >12 [305] ≤60 [1524] = +2 [51] / -0  
 >60 [1524] ≤120 [3048] = +4 [102] / -0  
 >120 [3048] ≤300 [7620] = +6 [152] / -0  
 >300 [7620] = +5% / -0

ALL OTHER DIMENSIONAL TOLERANCES:  
 .X = ± .2 [5] | FRACTIONS ± 1/32  
 .XX = ± .02 [5] | ANGLES ± 1°  
 .XXX = ± .005 [1.3]

THIRD-ANGLE PROJECTION



APPROVALS	DATE
DRAWN BY PSRINIVAS	09/22/2023
CHECKED BY DFRISIELLO	09/22/2023
APPROVED BY DREBECK	09/22/2023

CONFIGURATION DETAILS OF UNDIMENSIONED FEATURES MAY VARY

COLOR VARIATIONS MAY OCCUR

**L-com**  
an INFINITI® brand

50 High Street, West Mill,  
North Andover, MA 01845 USA.  
Phone: 1.800.341.5266  
1.978.682.6936

CATEGORY  
IEC CONNECTORS\_PANEL MSNAP-IN

PRODUCT DESCRIPTION  
AC PEM 2X 320-2-2/F PANEL MOUNT  
SNAP-IN SOLDER TERMINALS

SIZE	CAGE CODE	ITEM NO.	REV.
A	43321	ACM-22F-NS-LC	A

SCALE: NONE | CAD FILE: ACM-22F-NS-LC.SLDDRW | SHEET 1 OF 1