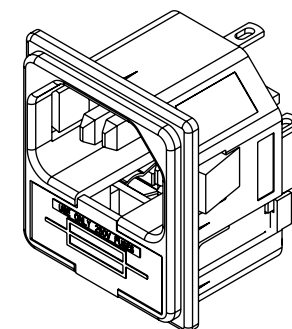
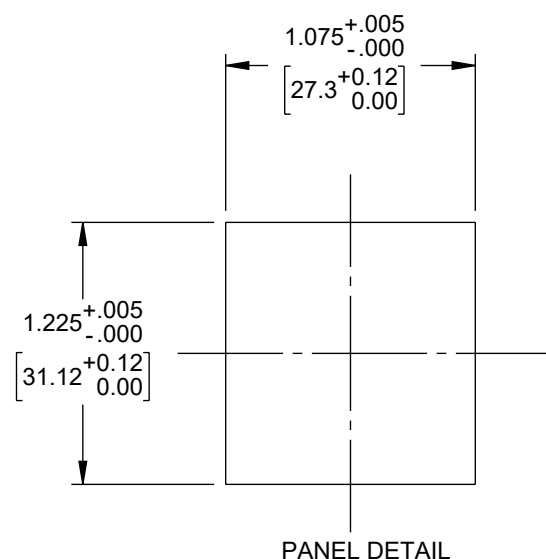
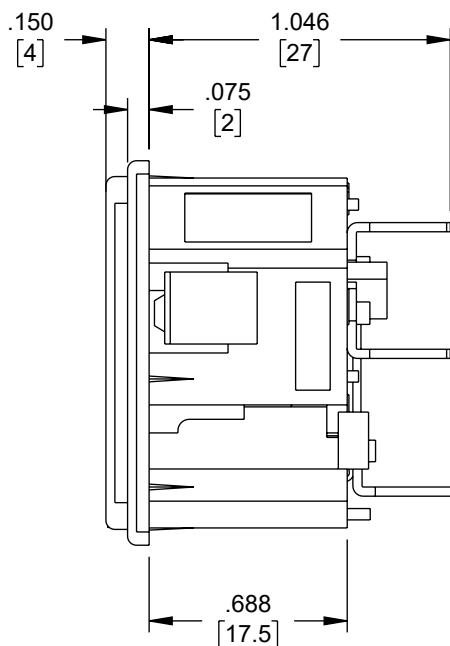
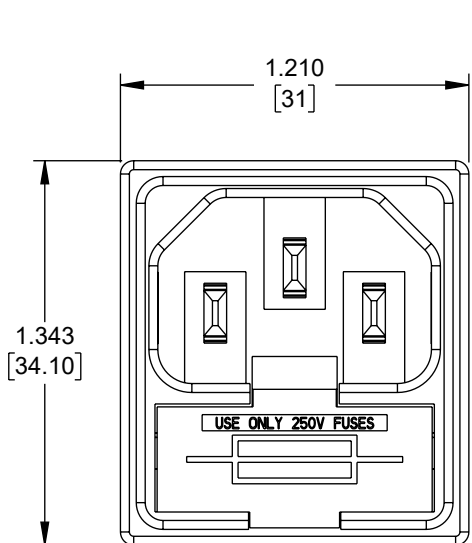


THE INFORMATION CONTAINED IN THIS DRAWING IS THE SOLE PROPERTY OF L-COM, INC. ANY REPRODUCTION IN PART OR WHOLE WITHOUT THE WRITTEN PERMISSION OF L-COM, INC. IS PROHIBITED.

REVISION					
ZONE	REV	DESCRIPTION	DATE	CHANGED BY	APPROVED
	A	INITIAL RELEASE	09/01/2023	PSRINIVAS	DREBECK



NOTES:

- CONNECTOR TYPE: C14
- RATING: 10A, 250VAC
- FEATURES:  
SNAPS INTO 2.0 mm PANEL  
2.8 mm SOLDER TAB TERMINATIONS  
SINGLE FUSEHOLDER
- CERTIFICATIONS: UL
- PACKAGING NOTE:  
CONNECTOR SHALL BE INDIVIDUALLY PACKAGED, LABEL PER ILS-100
- ALL DIMENSIONS FOR REFERENCE ONLY

<p>UNLESS OTHERWISE SPECIFIED, DIMENSIONS ARE IN INCHES [mm]</p> <p>OVERALL CABLE LENGTH TOLERANCE:          ≤12 [305] = +1 [25] / -0          &gt;12 [305] ≤60 [1524] = +2 [51] / -0          &gt;60 [1524] ≤120 [3048] = +4 [102] / -0          &gt;120 [3048] ≤300 [7620] = +6 [152] / -0          &gt;300 [7620] = +5% / -0</p> <p>ALL OTHER DIMENSIONAL TOLERANCES:          .X = ± .2 [5]   FRACTIONS ± 1/32          .XX = ± .02 [5]   ANGLES ± 1°          .XXX = ± .005 [13]</p> <p>THIRD-ANGLE PROJECTION</p>	APPROVALS	DATE	<p>50 High Street, West Mill, North Andover, MA 01845 USA. Phone: 1.800.341.5266 1.978.682.6936</p>		
	DRAWN BY PSRINIVAS	09/01/2023			
	CHECKED BY DFRISIELLO	09/01/2023	CATEGORY	IEC CONNECTORS	
	APPROVED BY DREBECK	09/01/2023	PRODUCT DESCRIPTION	AC PEM C14 2.0mm PANEL SNAP-IN 2.8mm SOLDER TERMINALS FUSEHOLDER	
CONFIGURATION DETAILS OF UNDIMENSIONED FEATURES MAY VARY	COLOR VARIATIONS MAY OCCUR	SIZE A	CAGE CODE 43321	ITEM NO. ACM-C4-N20SF-LC	REV. A
		SCALE: NONE	CAD FILE: ACM-C4-N20SF-LC.SLDDRW	SHEET 1 OF 1	