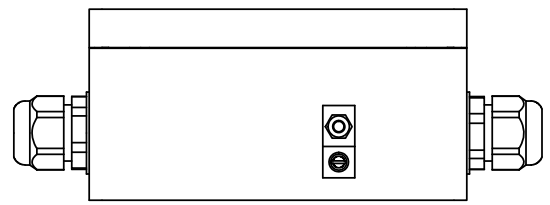
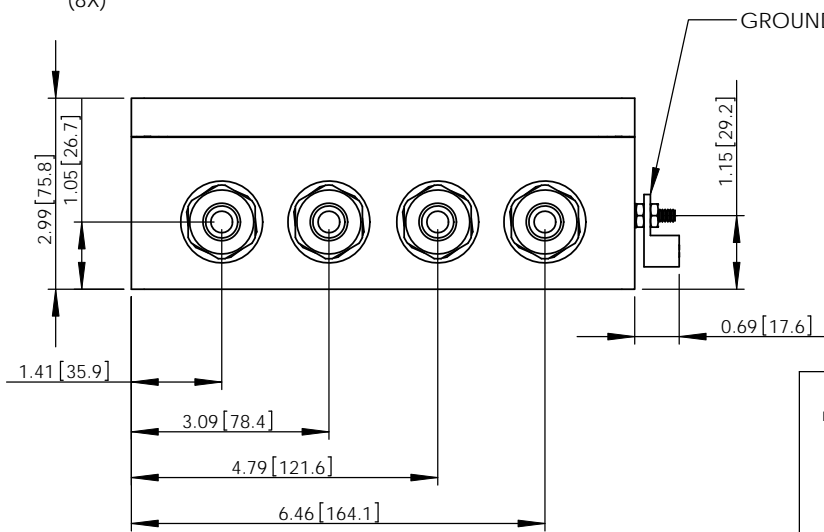
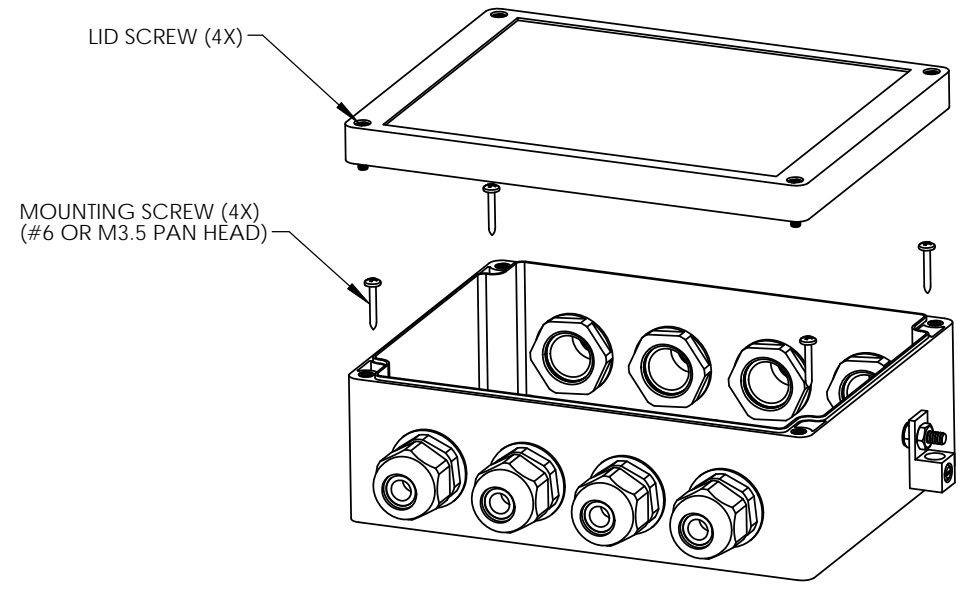
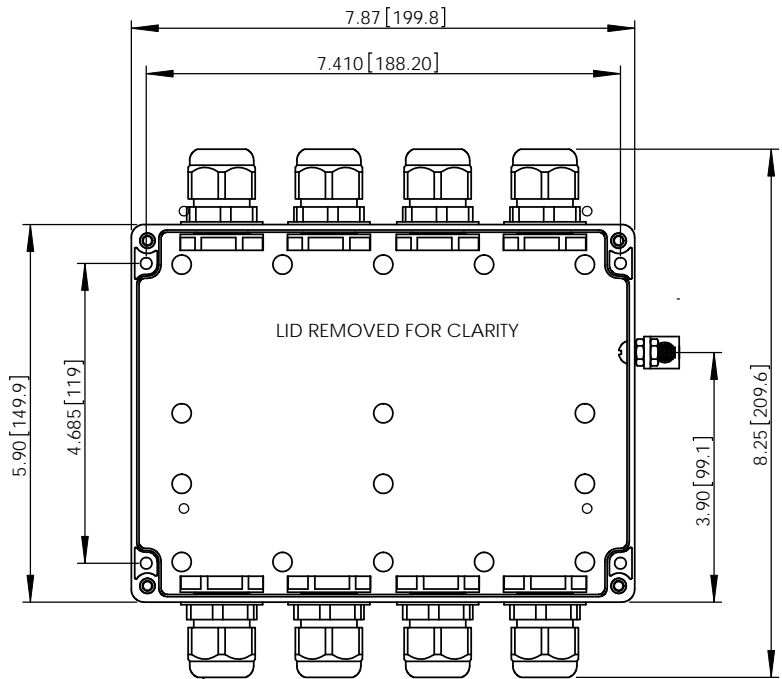


THE INFORMATION CONTAINED IN THIS DRAWING IS THE SOLE PROPERTY OF L-COM, INC. ANY REPRODUCTION IN PART OR WHOLE WITHOUT THE WRITTEN PERMISSION OF L-COM, INC. IS PROHIBITED.

REVISIONS			
REV	DESCRIPTION	DATE	APPROVED
A	Initial Release	04/07/11	B.Puchaski
-	-	-	-
-	-	-	-



RoHS Compliant

NOTE:
1- EACH UNIT TO BE INDIVIDUALLY PACKAGED PER L-COM SPECIFICATIONS

UNLESS OTHERWISE SPECIFIED, DIMENSIONS ARE IN INCHES [mm] DIMENSIONAL TOLERANCES: .X = ±.1 .XX = ±.01 .XXX = ±.005 ANGULAR TOLERANCES: ALL = ± 1°	APPROVALS DRAWN BY B.Puchaski	DATE 04/07/11		45 BEECHWOOD DRIVE NORTH ANDOVER, MA 01845	
	CHECKED BY K.Burgner	04/07/11		CATEGORY PRODUCTION	
	APPROVED BY K.Burgner	04/07/11	PRODUCT DESCRIPTION 4-Port Weatherproof Enclosure For AL Series LP's		
	CONFIGURATION DETAILS OF UNDIMENSIONED FEATURES MAY VARY	COLOR VARIATIONS MAY OCCUR	SIZE A	FSCM NO. 43321	DWG. NO. AL-W070603
PROJECTION 	SCALE: NONE		CAD FILE: AL-W070603.SLDDRW		
			REV. A	SHEET 1 OF 1	