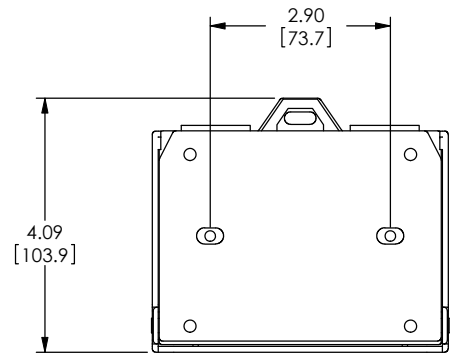
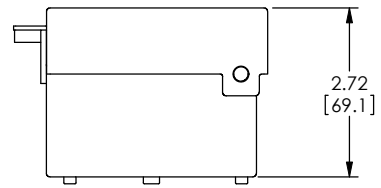
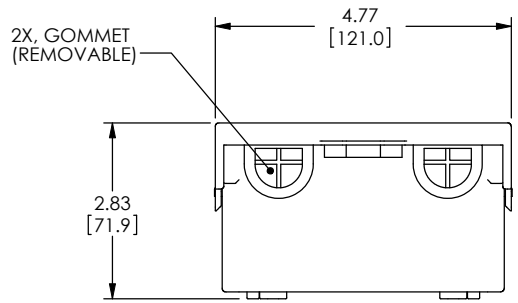
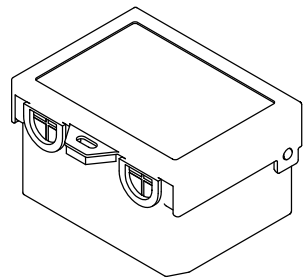
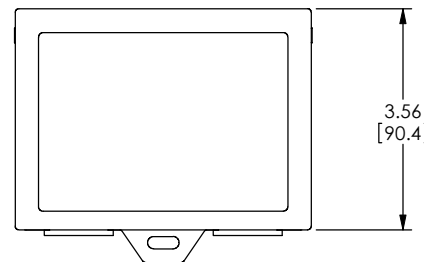


THE INFORMATION CONTAINED IN THIS DRAWING IS THE SOLE PROPERTY OF L-COM, INC. ANY REPRODUCTIONS IN PART OR WHOLE WITHOUT THE WRITTEN PERMISSION OF L-COM, INC. IS PROHIBITED.

REVISIONS			
REV	DESCRIPTION	DATE	CHANGED BY
A	RELEASED	04/26/10	DFP
B	REMOVE MODEL LIST, ADD REF# ECN#5246	01/27/12	B.FUCHASKI



NOTES:  
 PACKAGING:  
 COMPONENT SHALL BE PACKAGED IN ACCORDANCE WITH L-COM SPEC PKG-00012  
 - ALL DIMENSIONS ARE FOR REFERENCE ONLY -

REF# XE-0005

RoHS Compliant ✓

UNLESS OTHERWISE SPECIFIED, DIMENSIONS ARE IN INCHES (mm)  
 OVERALL CABLE LENGTH TOLERANCE:  
 ≤12 (305) ≤±0 (1.27) / -0  
 >12 (305) ≤±0 (1.27) / -0  
 >40 (1024) ≤±0 (1.27) / -0  
 >120 (3048) ≤±0 (1.27) / -0  
 >300 (7620) ≤±0 (1.27) / -0  
 ALL OTHER DIMENSIONAL TOLERANCES:  
 X = ±.2  
 .XXX = ±.02  
 .XXX = ±.005

APPROVALS	DATE
DRAWN BY D. FARRAH	04/26/2010
CHECKED BY D. FRISIELLO	04/26/2010
APPROVED BY K. BURGNER	04/26/2010

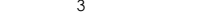
**L-com** Global Connectivity  
 45 BEECHWOOD DRIVE  
 NORTH ANDOVER, MA 01845

CATEGORY: ENCLOSURES

PRODUCT DESCRIPTION: DUAL PORT LP ENCLOSURE

SIZE	PSCM NO.	DWG. NO.	REV.
<b>B</b>	<b>43321</b>	<b>AL-W040503</b>	<b>B</b>

CONFIGURATION DETAILS OF UNDIMENSIONED FEATURES MAY VARY  
 COLOR VARIATIONS MAY OCCUR



SCALE: 1:1 CAD FILE: AL-W040503.LDDRW SHEET 1 OF 1