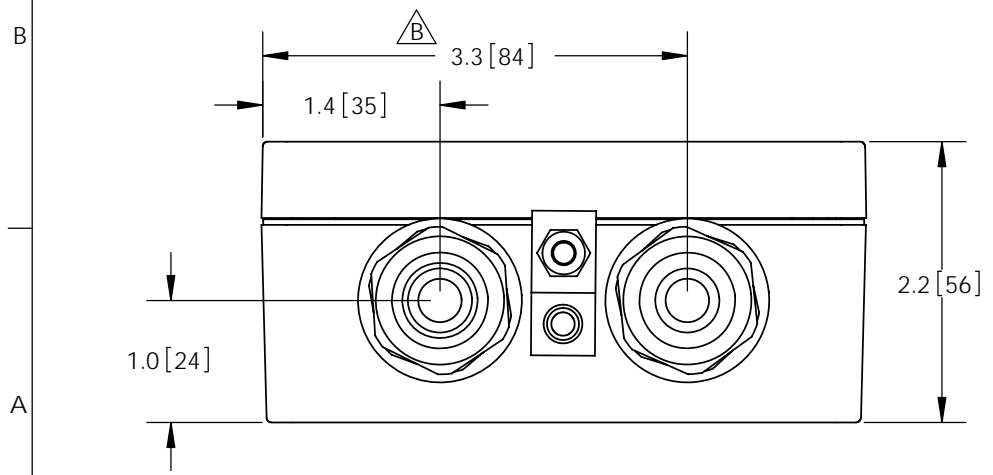
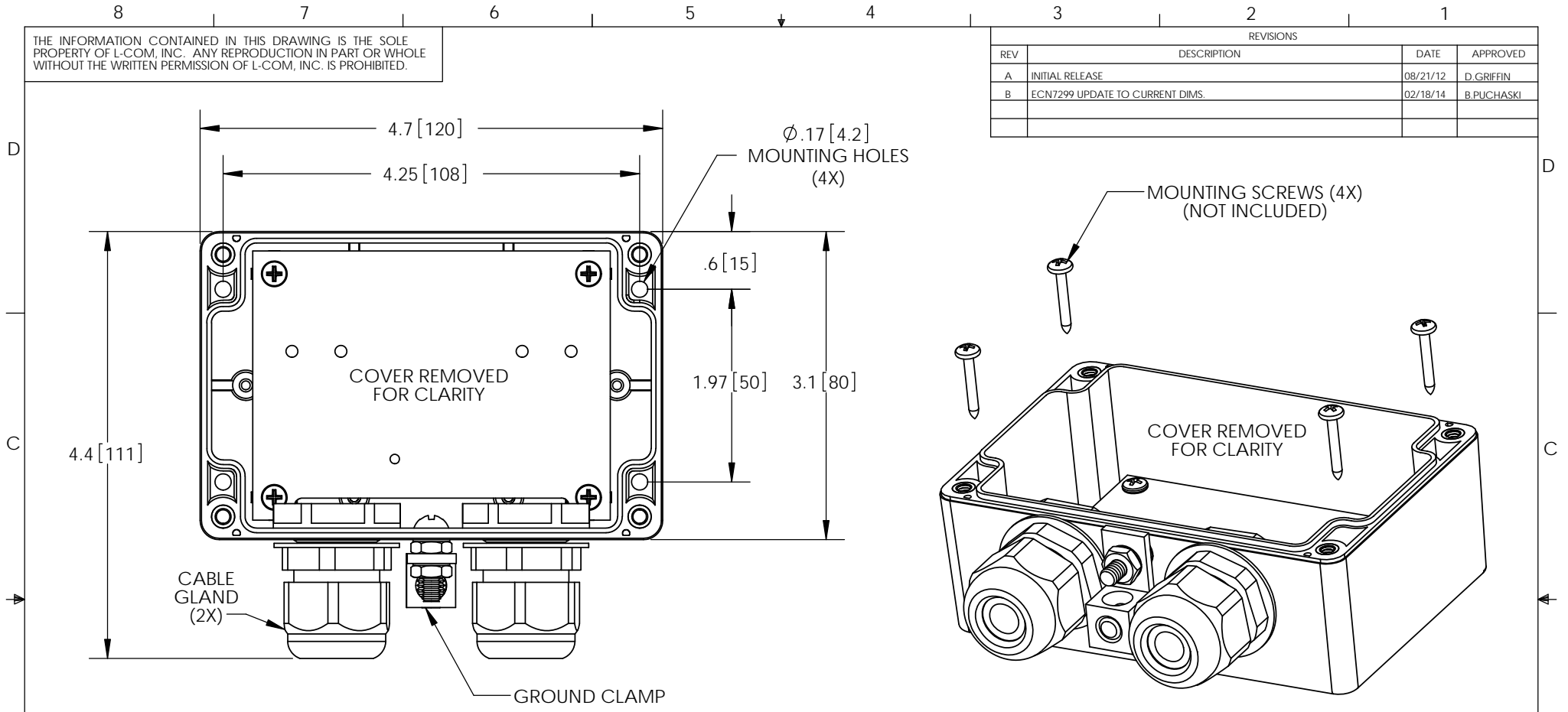


THE INFORMATION CONTAINED IN THIS DRAWING IS THE SOLE PROPERTY OF L-COM, INC. ANY REPRODUCTION IN PART OR WHOLE WITHOUT THE WRITTEN PERMISSION OF L-COM, INC. IS PROHIBITED.

REVISIONS			
REV	DESCRIPTION	DATE	APPROVED
A	INITIAL RELEASE	08/21/12	D.GRIFFIN
B	ECN7299 UPDATE TO CURRENT DIMS.	02/18/14	B.PUCHASKI



NOTES:
 PACKAGING:
 COMPONENT SHALL BE PACKAGED IN ACCORDANCE WITH L-COM SPEC PKG-00012
 -ALL DIMENSIONS FOR REFERENCE-
REGULATORY COMPLIANCE:
 CE2011/65/EU(RoHS DIRECTIVE)

UNLESS OTHERWISE SPECIFIED, DIMENSIONS ARE IN INCHES [mm] DIMENSIONAL TOLERANCES: .X = ±.1 [2.54] .XX = ±.01 [.25] .XXX = ±.005 [.13] ANGULAR TOLERANCES: ALL = ± 1°	APPROVALS B.PUCHASKI	DATE 08/21/12		45 BEECHWOOD DRIVE NORTH ANDOVER, MA 01845	
	CHECKED BY K.BURGNER	08/21/12			CATEGORY LIGHTNING PROTECTORS
	APPROVED BY K.BURGNER	08/21/12	PRODUCT DESCRIPTION WEATHERPROOF ENCLOSURE FOR AL-LC LP		
	PROJECTION 	CONFIGURATION DETAILS OF UNDIMENSIONED FEATURES MAY VARY COLOR VARIATIONS MAY OCCUR	SIZE A	FSCM NO. 43321	DWG. NO. AL-LC
SCALE: NONE		CAD FILE: AL-LC.SLDDRW		SHEET 1 OF 1	