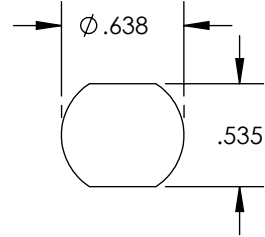
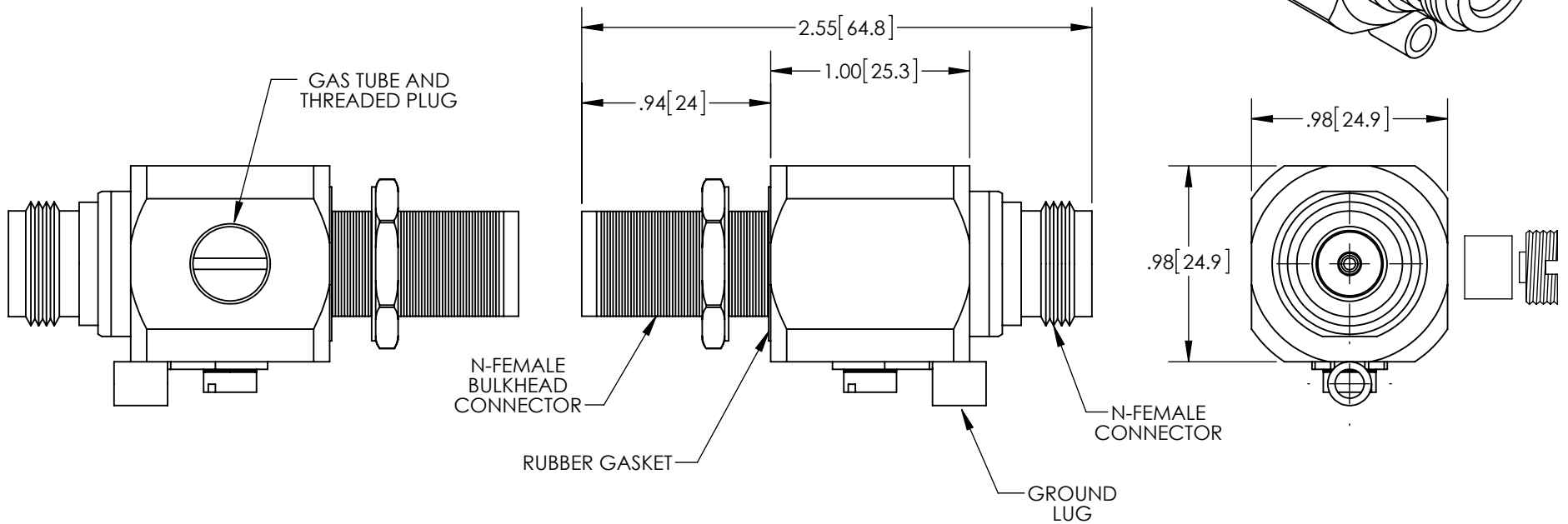
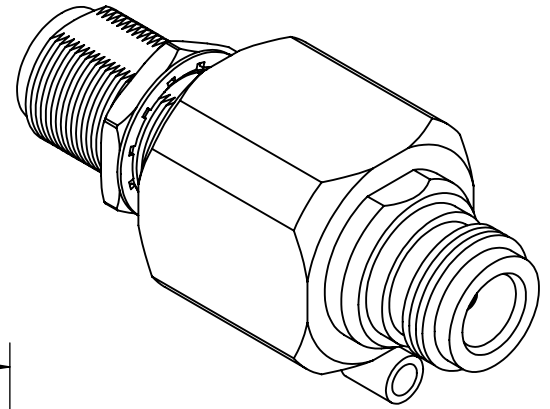


THE INFORMATION CONTAINED IN THIS DRAWING IS THE SOLE PROPERTY OF L-COM, INC. ANY REPRODUCTION IN PART OR WHOLE WITHOUT THE WRITTEN PERMISSION OF L-COM, INC. IS PROHIBITED.

REVISIONS			
REV	DESCRIPTION	DATE	APPROVED
A	INITIAL RELEASE	06/18/12	D.GRIFFIN



SUGGESTED CUT-OUT FOR BULKHEAD



- NOTES:
- 1- MATERIAL:
 BODY: NICKEL PLATED BRASS
 CONTACTS: GOLD PLATED BRASS
 - 2- PACKAGING
 SHALL BE PACKAGED IN ACCORDANCE WITH L-COM SPEC. PKG-00060
 - 3- THIS PROTECTOR FOR INDOOR USE ONLY
- ALL DIMENSIONS FOR REFERENCE ONLY -

RoHS Compliant ✓

UNLESS OTHERWISE SPECIFIED, DIMENSIONS ARE IN INCHES [mm]	APPROVALS	DATE		45 BEECHWOOD DRIVE NORTH ANDOVER, MA 01845	
	DRAWN BY B.PUCHASKI	06/18/12			
	DIMENSIONAL TOLERANCES:	CHECKED BY K.BURGNER	06/18/12	CATEGORY	
	.X = ±.1 .XX = ±.01 .XXX = ±.005	APPROVED BY P.PESA	06/18/12	LIGHTNING PROTECTORS	
ANGULAR TOLERANCES: ALL = ± 1°	CONFIGURATION DETAILS OF UNDIMENSIONED FEATURES MAY VARY		PRODUCT DESCRIPTION		
PROJECTION	COLOR VARIATIONS MAY OCCUR		INDOOR N-FEMALE TO N-FEMALE BULKHEAD 0-3GHz 90V LIGHTNING PROTECTOR		
	SIZE	FSCM NO.	DWG. NO.	REV.	
	A	43321	AL-NFNFBHP-9	A	
	SCALE: NONE	CAD FILE: AL-NFNFBHP-9.SLDDRW	SHEET 1 OF 1		