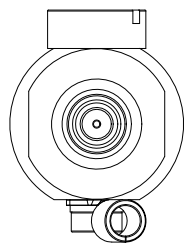
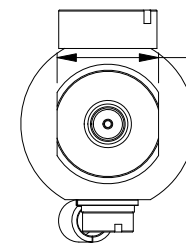
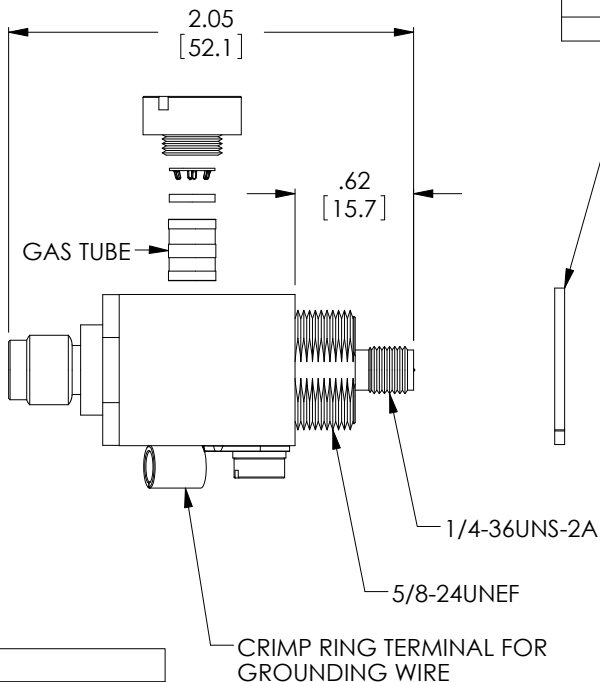


THE INFORMATION CONTAINED IN THIS DRAWING IS THE SOLE PROPERTY OF L-COM, INC. ANY REPRODUCTION IN PART OR WHOLE WITHOUT THE WRITTEN PERMISSION OF L-COM, INC. IS PROHIBITED.

REVISIONS			
REV	DESCRIPTION	DATE	APPROVED
A	INITIAL RELEASE	06/21/2011	BPUCHASKI
B	ECN 9475: REVISED GAS TUBE BREAKDOWN FROM 90V TO 180 V	10/25/2018	DFRISIELLO



RP-SMA PLUG



RP-SMA JACK

.528 [13.41]

ELECTRICAL SPECIFICATIONS	
FREQUENCY RANGE	0 - 6 GHz
VSWR	1 : 1.2 MAX (0 - 6 GHz)
INSERTION LOSS	0.6 dB MAX (0 - 6 GHz)
IMPEDANCE	50 OHM
GAS TUBE BREAKDOWN VOLTAGE	180 V ± 20%
MECHANICAL SPECIFICATIONS	
CONNECTORS	RP-SMA PLUG TO RP-SMA JACK BULKHEAD
CONNECTOR BODY MATERIAL	NICKEL PLATED BRASS
BODY MATERIAL	NICKEL PLATED BRASS
PIN MATERIAL	GOLD PLATED BRASS
O"-RING	RUBBER
DIMENSIONS (MAX)	2.1 X 0.9 X 1.2 IN (53 X 23 X 31mm)
WEIGHT	0.25 LBS (0.11 kg)



**NOTES:**

1. LIGHTNING PROTECTOR SHALL BE INDIVIDUALLY PACKAGED IN ACCORDANCE WITH L-COM PACKAGING SPEC. PS-0031.

**REGULATORY COMPLIANCE:**  
CE2011/65/EU (RoHS DIRECTIVE)

UNLESS OTHERWISE SPECIFIED, DIMENSIONS ARE IN INCHES [mm] OVERALL CABLE LENGTH TOLERANCE: ≤12 [305] = +1 [25] / -0 >12 [305] ≤60 [1524] = +2 [51] / -0 >60 [1524] ≤120 [3048] = +4 [102] / -0 >120 [3048] ≤300 [7620] = +6 [152] / -0 >300 [7620] = +5% / -0% ALL OTHER DIMENSIONAL TOLERANCES: .X = ±.2 [5.08] .XX = ±.02 [1.51] .XXX = ±.005 [1.13]	APPROVALS	DATE
	DRAWN BY BPUCHASKI	06/21/2011
	CHECKED BY K.BURGNER	06/21/2011
	APPROVED BY K.BURGNER	06/21/2011
PROJECTION 	CONFIGURATION DETAILS OF UNDIMENSIONED FEATURES MAY VARY	COLOR VARIATIONS MAY OCCUR

		50 HIGH STREET NORTH ANDOVER, MA 01845	
CATEGORY <b>LIGHTNING PROTECTOR</b>			
PRODUCT DESCRIPTION <b>LP, RP-SMA P TO RP-SMA J 0-6GHz</b>			
SIZE <b>A</b>	FSCM NO. <b>43321</b>	DWG. NO. <b>AL6-RSPRSJBW-9</b>	REV. <b>B</b>
SCALE: NONE		CAD FILE: AL6-RSPRSJBW-9.SLDDRW	SHEET 1 OF 1