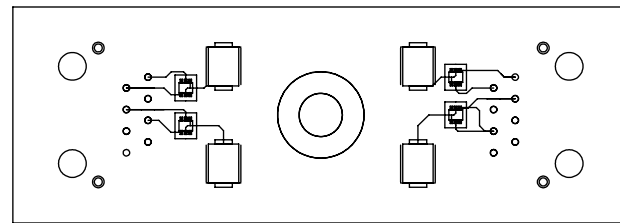
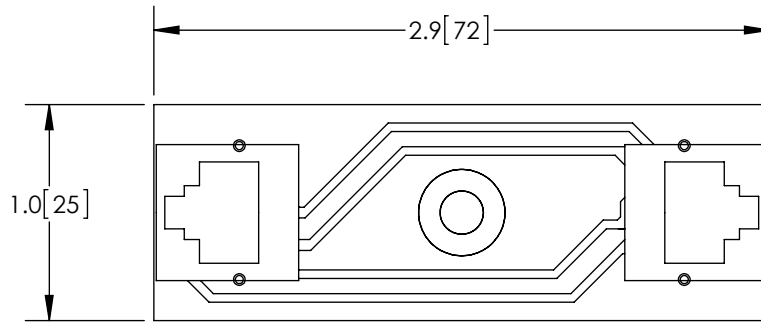


THE INFORMATION CONTAINED IN THIS DRAWING IS THE SOLE PROPERTY OF L-COM, INC. ANY REPRODUCTION IN PART OR WHOLE WITHOUT THE WRITTEN PERMISSION OF L-COM, INC. IS PROHIBITED.

REVISIONS			
REV	DESCRIPTION	DATE	APPROVED
A	INITIAL RELEASE	8/22/13	D.GRIFFIN



NOTES:
 1- ALL PARTS SHALL BE PACKAGED AS PER L-COM SPEC PKG-00012
 - ALL DIMENSIONS FOR REFERENCE ONLY -
 REGULATORY COMPLIANCE:
 RoHS, CE

UNLESS OTHERWISE SPECIFIED, DIMENSIONS ARE IN INCHES [mm] DIMENSIONAL TOLERANCES: .X = ±.1 [2.54] .XX = ±.01 [.25] .XXX = ±.005 [.13] ANGULAR TOLERANCES: ALL = ± 1° PROJECTION 	APPROVALS B.PUCHASKI CHECKED BY P.PESA APPROVED BY P.PESA	DATE 08/21/13 08/21/13 08/21/13		45 BEECHWOOD DRIVE NORTH ANDOVER, MA 01845	
	CONFIGURATION DETAILS OF UNDIMENSIONED FEATURES MAY VARY		CATEGORY LIGHTNING PROTECTORS	PRODUCT DESCRIPTION LP REPLACEMENT PCB ASSEMBLY HYP296	
	COLOR VARIATIONS MAY OCCUR	SIZE A	FSCM NO. 43321	DWG. NO. ALPR-HYP296	REV. A
	SCALE: NONE		CAD FILE: ALPR-HYP296.SLDDRW		SHEET 1 OF 1

