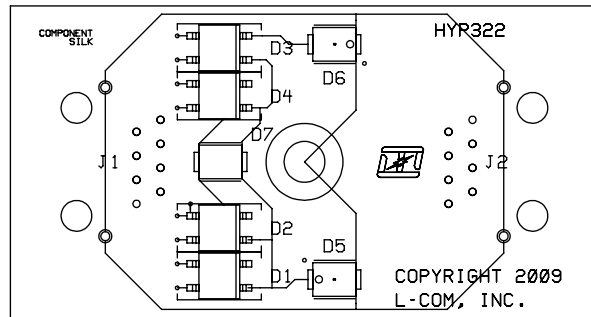
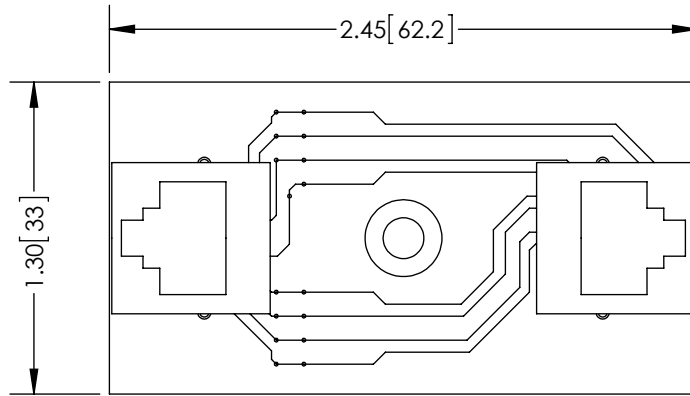


THE INFORMATION CONTAINED IN THIS DRAWING IS THE SOLE PROPERTY OF L-COM, INC. ANY REPRODUCTION IN PART OR WHOLE WITHOUT THE WRITTEN PERMISSION OF L-COM, INC. IS PROHIBITED.

| REVISIONS |                 |         |           |
|-----------|-----------------|---------|-----------|
| REV       | DESCRIPTION     | DATE    | APPROVED  |
| A         | INITIAL RELEASE | 9/21/12 | D.GRIFFIN |
|           |                 |         |           |
|           |                 |         |           |



**RoHS Compliant** ✓

NOTES:  
 1- ALL PARTS SHALL BE PACKAGED AS PER L-COM SPEC PKG-00012  
 - ALL DIMENSIONS FOR REFERENCE ONLY -

|  |   |  |   |
|--|---|--|---|
| UNLESS OTHERWISE SPECIFIED,<br>DIMENSIONS ARE IN INCHES [mm]<br><br>DIMENSIONAL TOLERANCES:<br>.X = ±.1<br>.XX = ±.01<br>.XXX = ±.005<br><br>ANGULAR TOLERANCES:<br>ALL = ± 1°<br><br>PROJECTION<br> | APPROVALS<br>B.PUCHASKI<br>CHECKED BY<br>K.BURGNER<br>APPROVED BY<br>P.PESA | DATE<br>09/20/12<br>09/20/12<br>09/20/12 | 45 BEECHWOOD DRIVE<br>NORTH ANDOVER, MA<br>01845                                    |
|  | CATEGORY<br>LIGHTNING PROTECTORS  |  |   |
|  | CONFIGURATION DETAILS OF<br>UNDIMENSIONED FEATURES<br>MAY VARY              |  | SCALE: NONE   CAD FILE: ALPR-HYP322.SLDDRW   SHEET 1 OF 1                           |
|  | COLOR VARIATIONS<br>MAY OCCUR   |  | SIZE <b>A</b>   FSCM NO. <b>43321</b>   DWG. NO. <b>ALPR-HYP322</b>   REV. <b>A</b> |