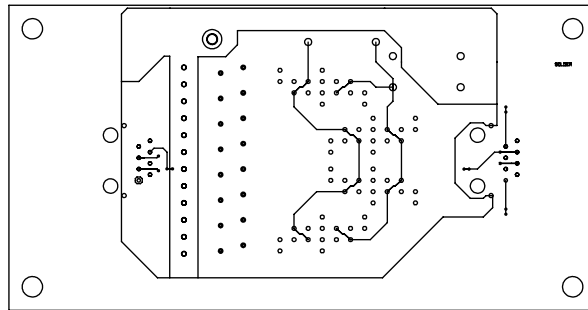
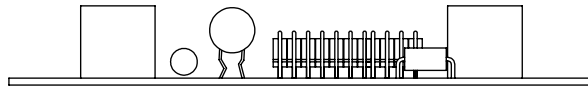
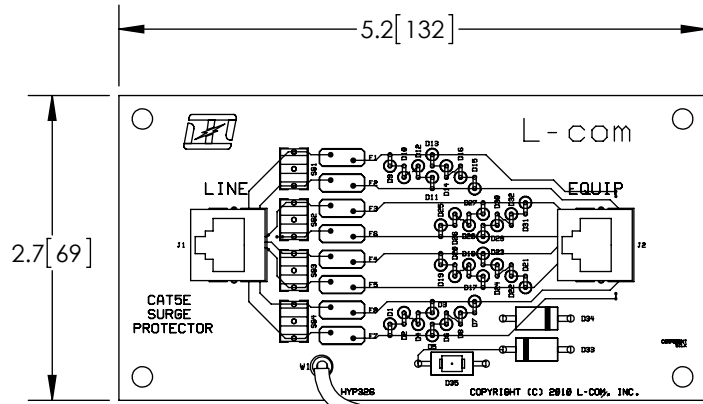


THE INFORMATION CONTAINED IN THIS DRAWING IS THE SOLE PROPERTY OF L-COM, INC. ANY REPRODUCTION IN PART OR WHOLE WITHOUT THE WRITTEN PERMISSION OF L-COM, INC. IS PROHIBITED.

REVISIONS			
REV	DESCRIPTION	DATE	APPROVED
A	INITIAL RELEASE	08/22/13	D.GRIFFIN



NOTES:
 1- ALL PARTS SHALL BE PACKAGED AS PER L-COM SPEC PKG-00012
 - ALL DIMENSIONS FOR REFERENCE ONLY -
 REGULATORY COMPLIANCE:
 RoHS, CE

UNLESS OTHERWISE SPECIFIED, DIMENSIONS ARE IN INCHES [mm] DIMENSIONAL TOLERANCES: .X = ±.1 [2.54] .XX = ±.01 [.25] .XXX = ±.005 [.13] ANGULAR TOLERANCES: ALL = ± 1°	APPROVALS	DATE		45 BEECHWOOD DRIVE NORTH ANDOVER, MA 01845
	DRAWN BY B.PUCHASKI	08/22/13		
PROJECTION 	CHECKED BY P.PESA	08/22/13	CATEGORY LIGHTNING PROTECTORS	
	APPROVED BY P.PESA	08/22/13	PRODUCT DESCRIPTION LP REPLACEMENT PCB ASSEMBLY HYP326	
COLOR VARIATIONS MAY OCCUR	SIZE A	FSCM NO. 43321	DWG. NO. ALPR-HYP326	REV. A
SCALE: NONE		CAD FILE: ALPR-HYP326.SLDDRW		SHEET 1 OF 1