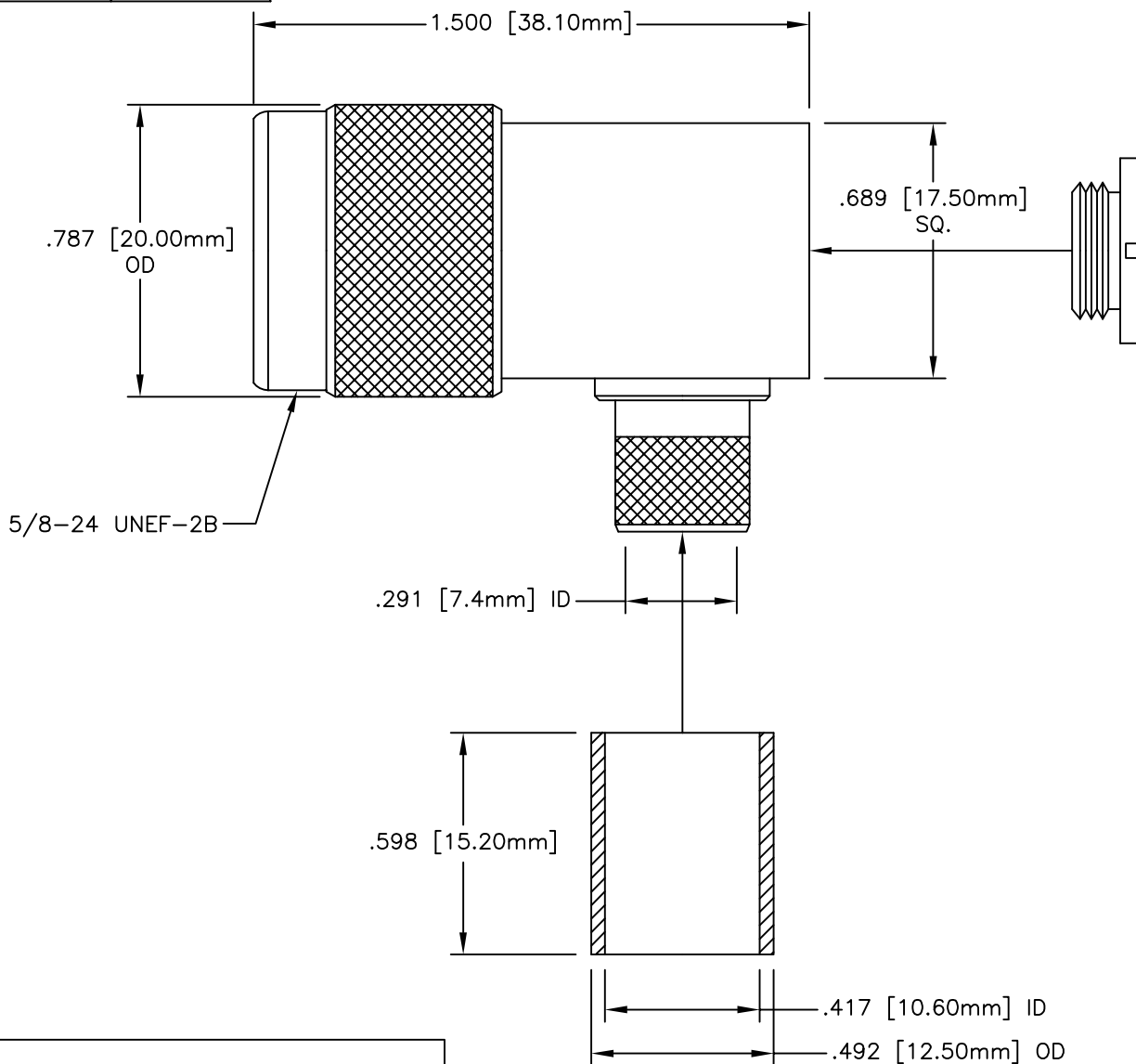
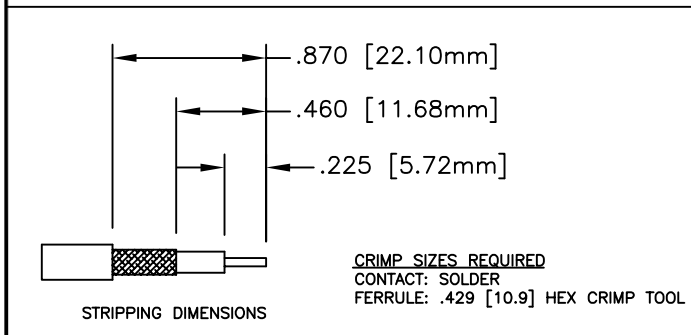


DESCRIPTION	MATERIAL	FINISH
BODY	BRASS	NICKEL
PIN	BRASS	GOLD
INSULATION	TEFLON	NONE
SHELL	BRASS	NICKEL
FERRULE	BRASS	NICKEL
PF FERRULE STUD	BRASS	NICKEL
GROUND RING	BRASS	NICKEL
RETAINING RING	BRASS </td <td>NICKEL</td>	NICKEL
GASKET	SI-RUBBER	ORANGE
NUT	BRASS	NICKEL



NOTES:
 1. UNLESS OTHERWISE SPECIFIED ALL DIMENSIONS ARE NOMINAL.
 2. ALL SPECIFICATIONS ARE SUBJECT TO CHANGE WITHOUT NOTICE AT ANY TIME.



REV	ECN No.	DATE	DESCRIPTION	SIZE	TITLE:	DRAWN BY	DATE	DRAWING No.	REV
				A	N-MALE CRIMP RIGHT ANGLE CONNECTOR FOR 400-SERIES CABLE	K.Burgner	11/23/07	ANM-1416	D
D	-	12/03/07	Updated Stripping Dim			K.Burgner	11/23/07		
C	-	11/23/07	Updated Dwg			K.Burgner	11/23/07		
				SCALE 3:1	SHEET 1/1	MATERIAL ---		PART No. ANM-1416	FILE No. ANM-1416