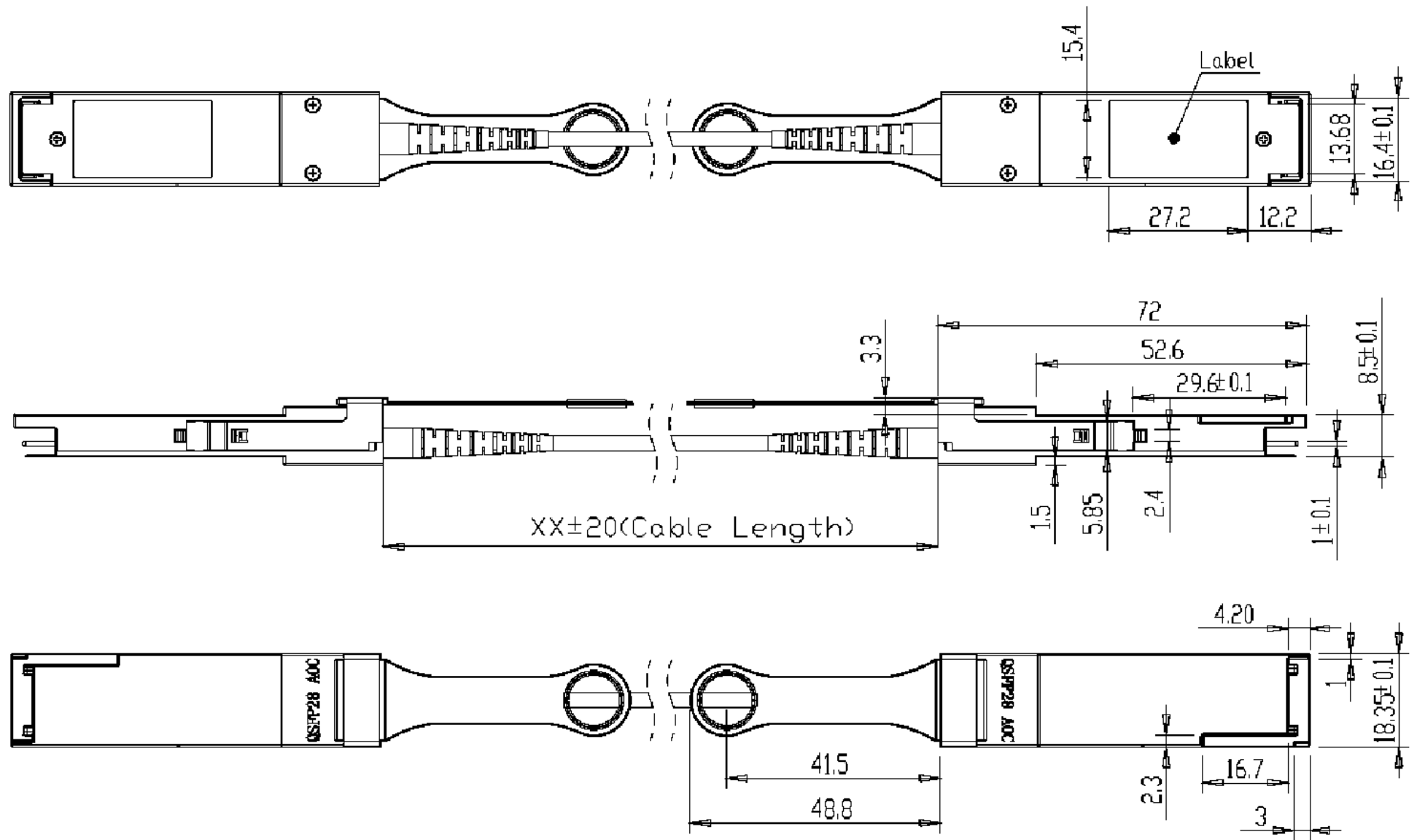


THE INFORMATION CONTAINED IN THIS DRAWING IS THE SOLE PROPERTY OF L-COM, INC. ANY REPRODUCTIONS IN PART OR WHOLE WITHOUT THE WRITTEN PERMISSION OF L-COM, INC. IS PROHIBITED.

REVISIONS			
REV	DESCRIPTION	DATE	CHANGED BY
A	INITIAL RELEASE	04/24/2019	PHOSPODAR



100GB/S QSFP28 ACTIVE OPTICAL CABLE					
COMPATIBLE				LENGTH	
MSA	ARISTA	CISCO	JUNIPER	METERS	FEET
AOCQP28100-001	AOCQP28100-001-AR	AOCQP28100-001-CS	AOCQP28100-001-JN	1.0	3.28
AOCQP28100-003	AOCQP28100-003-AR	AOCQP28100-003-CS	AOCQP28100-003-JN	3.0	9.84
AOCQP28100-005	AOCQP28100-005-AR	AOCQP28100-005-CS	AOCQP28100-005-JN	5.0	16.40
AOCQP28100-007	AOCQP28100-007-AR	AOCQP28100-007-CS	AOCQP28100-007-JN	7.0	22.97
AOCQP28100-010	AOCQP28100-010-AR	AOCQP28100-010-CS	AOCQP28100-010-JN	10.0	32.81

UNLESS OTHERWISE SPECIFIED, DIMENSIONS ARE IN INCHES [mm]
 OVERALL CABLE LENGTH TOLERANCE:
 ≤12 [305] = +1 [25] / -0
 >12 [305] ≤60 [1524] = +2 [51] / -0
 >60 [1524] ≤120 [3048] = +4 [102] / -0
 >120 [3048] ≤300 [7620] = +6 [152] / -0
 >300 [7620] = +5% / -0%
 ALL OTHER DIMENSIONAL TOLERANCES:
 .X = ±.2 [5.08]
 .XX = ±.02 [5.1]
 .XXX = ±.005 [1.3]

APPROVALS	DATE
DRAWN BY DZINN	04/22/2019
CHECKED BY DFRISIELLO	04/22/2019
APPROVED BY PHOSPODAR	04/22/2019

L-com Global Connectivity
 50 HIGH STREET
 NORTH ANDOVER, MA
 01845

CATEGORY FIBER OPTICS			
PRODUCT DESCRIPTION Active Optical Cable QSFP28 100Gb/s			
SIZE B	FSCM NO. 43321	DWG. NO. AOCQP28100	REV. A
SCALE: 1:4		CAD FILE: AOCQP28100.SLDDRW	
SHEET 1 OF 1			

