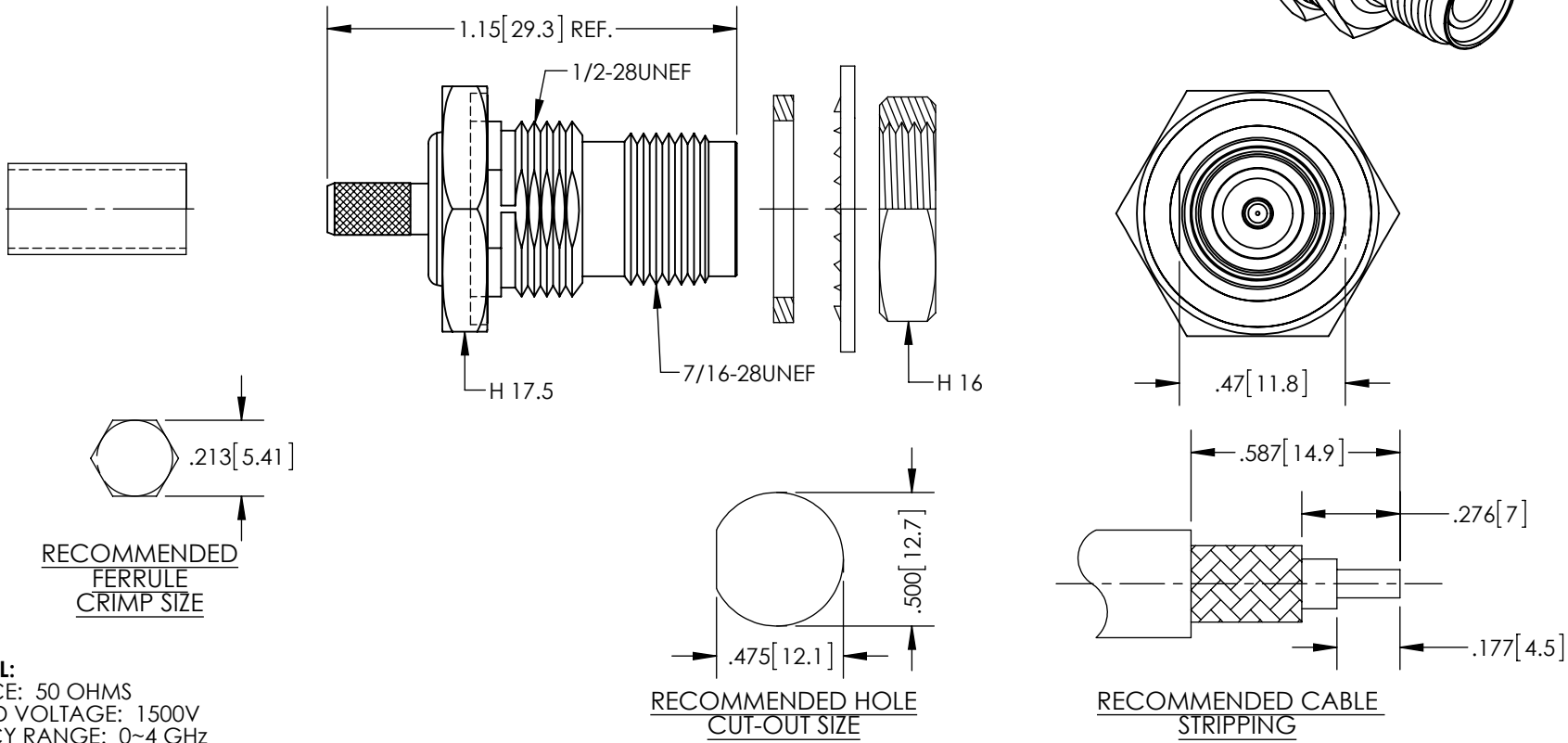
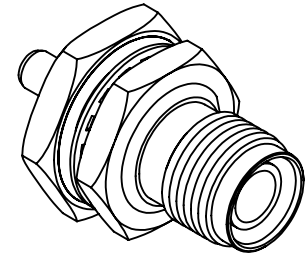


THE INFORMATION CONTAINED IN THIS DRAWING IS THE SOLE PROPERTY OF L-COM, INC. ANY REPRODUCTION IN PART OR WHOLE WITHOUT THE WRITTEN PERMISSION OF L-COM, INC. IS PROHIBITED.

REVISIONS			
REV	DESCRIPTION	DATE	APPROVED
A	INITIAL RELEASE	2/6/14	D.GRIFFIN

DESCRIPTION	MATERIAL	FINISH
CENTER PIN	BRASS	GOLD
BODY	BRASS	NICKEL
WASHER	BRASS	NICKEL
NUT	BRASS	NICKEL
GASKET	RUBBER	---
CRIMP FERRULE	BRASS	NICKEL
INSULATOR	PTFE	---



RECOMMENDED FERRULE CRIMP SIZE

RECOMMENDED HOLE CUT-OUT SIZE

RECOMMENDED CABLE STRIPPING

NOTES:
ELECTRICAL:
 IMPEDANCE: 50 OHMS
 WITHSTAND VOLTAGE: 1500V
 FREQUENCY RANGE: 0~4 GHz
 VSWR: <1.30 @ 0~4 GHz
 DURABILITY: > 500 CYCLE
 CABLE RETENTION: > 40 POUNDS
MISCELLANEOUS:
 COMPONENTS SHALL BE INDIVIDUALLY PACKAGED IN ACCORDANCE WITH L-COM SPECIFICATIONS PS-0031.
 ALL DIMENSIONS ARE FOR REFERENCE ONLY.
REGULATORY COMPLIANCE:
 CE2011/65/EU (RoHS DIRECTIVE)

UNLESS OTHERWISE SPECIFIED, DIMENSIONS ARE IN INCHES [mm] DIMENSIONAL TOLERANCES: .X = ±.1 .XX = ±.01 .XXX = ±.005 ANGULAR TOLERANCES: ALL = ± 1° PROJECTION	APPROVALS DRAWN BY B.PUCHASKI CHECKED BY K.BURGNER APPROVED BY P.PESA	DATE 02/05/14 02/05/14 02/05/14	45 BEECHWOOD DRIVE NORTH ANDOVER, MA 01845	
	CATEGORY COAXIAL			
	PRODUCT DESCRIPTION RP-TNC JACK BULKHEAD SOLDERLESS CRIMP CONNECTOR FOR LMR195		SIZE A	FSCM NO. 43321
	COLOR VARIATIONS MAY OCCUR		DWG. NO. ARTJ-3704	REV. A
SCALE: NONE		CAD FILE: ARTJ-3704.SLDDRW	SHEET 1 OF 1	