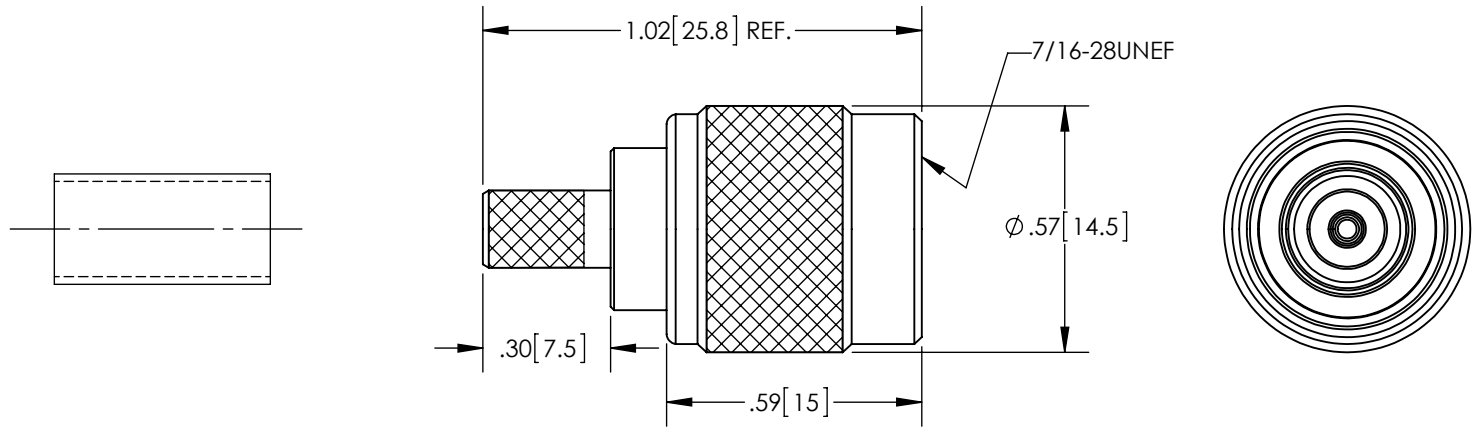


THE INFORMATION CONTAINED IN THIS DRAWING IS THE SOLE PROPERTY OF L-COM, INC. ANY REPRODUCTION IN PART OR WHOLE WITHOUT THE WRITTEN PERMISSION OF L-COM, INC. IS PROHIBITED.

REVISIONS			
REV	DESCRIPTION	DATE	APPROVED
A	INITIAL RELEASE	02/07/14	D.GRIFFIN

DESCRIPTION	MATERIAL	FINISH
CENTER CONTACTS	BRASS	GOLD
OUTER CONTACT	BRASS	NICKEL
BODY	BRASS	NICKEL
CRIMP FERRULE	BRASS	NICKEL
GASKET	RUBBER	---
INSULATOR	PTFE	---
RETAINING RING	BRASS	NICKEL



NOTES:

ELECTRICAL:

IMPEDANCE: 50 OHMS
 WITHSTAND VOLTAGE: 1500V
 FREQUENCY RANGE: 0~4 GHz
 VSWR: <1.50 @ 0~4 GHz
 DURABILITY: > 500 CYCLE
 CABLE RETENTION: > 40 POUNDS

MISCELLANEOUS:

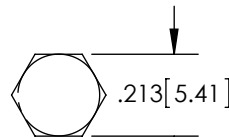
COMPONENTS SHALL BE INDIVIDUALLY PACKAGED IN ACCORDANCE WITH L-COM SPECIFICATIONS PS-0031.

ALL DIMENSIONS ARE FOR REFERENCE ONLY.

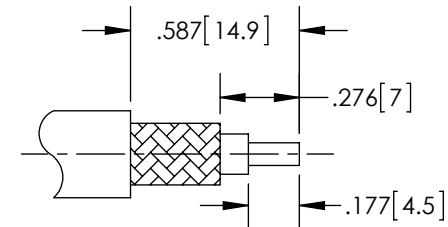
REGULATORY COMPLIANCE:

CE2011/65/EU (RoHS DIRECTIVE)

RECOMMENDED
FERRULE
CRIMP SIZE



RECOMMENDED CABLE
STRIPPING



UNLESS OTHERWISE SPECIFIED, DIMENSIONS ARE IN INCHES [mm] DIMENSIONAL TOLERANCES: .X = ±.1 [2.54] .XX = ±.01 [.25] .XXX = ±.005 [.13] ANGULAR TOLERANCES: ALL = ± 1°	APPROVALS	DATE		45 BEECHWOOD DRIVE NORTH ANDOVER, MA 01845
	DRAWN BY B.PUCHASKI	02/07/14		
	CHECKED BY K.BURGNER	02/07/14	CATEGORY COAXIAL	
	APPROVED BY P.PESA	02/07/14	PRODUCT DESCRIPTION RP-TNC PLUG SOLDERLESS CRIMP CONNECTOR FOR LMR195	
	CONFIGURATION DETAILS OF UNDIMENSIONED FEATURES MAY VARY		SIZE A	FSCM NO. 43321
	COLOR VARIATIONS MAY OCCUR		DWG. NO. ARTP-1710	REV. A
			SCALE: NONE	CAD FILE: ARTP-1710.SLDDRW
				SHEET 1 OF 1