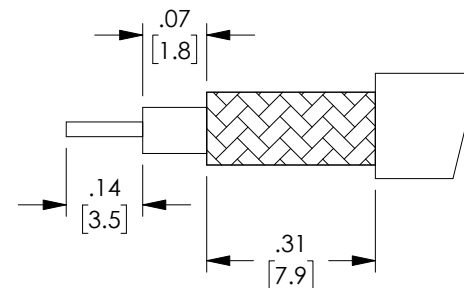


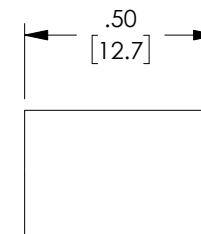
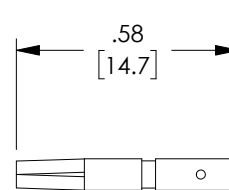
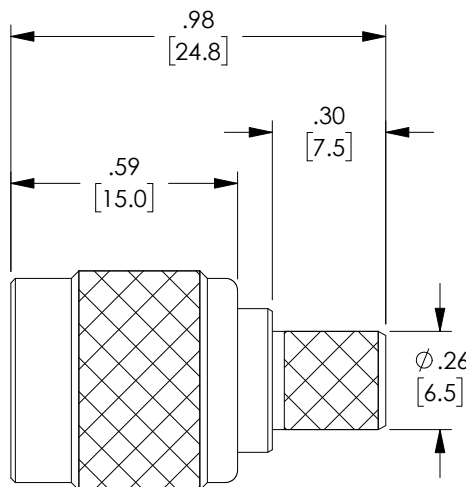
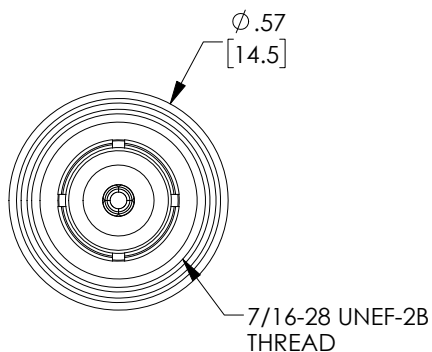
THE INFORMATION CONTAINED IN THIS DRAWING IS THE SOLE PROPERTY OF L-COM, INC. ANY REPRODUCTION IN PART OR WHOLE WITHOUT THE WRITTEN PERMISSION OF L-COM, INC. IS PROHIBITED.

REVISIONS			
REV	DESCRIPTION	DATE	APPROVED
A	INITIAL RELEASE	02/22/2005	P.PESA
B	ECN 9853: REVISE 3D MODEL AND NEW FORMAT	05/13/2019	DFRISIELLO

DESCRIPTION	MATERIAL	FINISH
BODY	BRASS	NICKEL PLATE
CENTER PIN	BRASS	GOLD PLATE
DIELECTRIC	PTFE	-
FERRULE	BRASS	NICKEL PLATE
SHELL	BRASS	NICKEL PLATE
RETAINING RING	BRASS	-
GASKET	RUBBER	-



RECOMMENDED
CABLE STRIPPING



NOTES:
COMPONENT SHALL BE INDIVIDUALLY PACKAGED IN ACCORDANCE WITH L-COM SPECIFICATION PS-0031

UNLESS OTHERWISE SPECIFIED, DIMENSIONS ARE IN INCHES [mm] OVERALL CABLE LENGTH TOLERANCE: ≤12 [305] = +1 [25] / -0 >12 [305] ≤60 [1524] = +2 [51] / -0 >60 [1524] ≤120 [3048] = +4 [102] / -0 >120 [3048] ≤300 [7620] = +6 [152] / -0 >300 [7620] = +5% / -0% ALL OTHER DIMENSIONAL TOLERANCES: .X = ±.2 [5.08] .XX = ±.02 [51] .XXX = ±.005 [1.27]	APPROVALS DRAWN BY JC	DATE 02/22/05		50 HIGH STREET NORTH ANDOVER, MA 01845	
	CHECKED BY P.PESA	DATE 02/22/05		CATEGORY COAXIAL	
	APPROVED BY P.PESA	DATE 02/22/05	PRODUCT DESCRIPTION CON,RP-TNC PLUG RG6 CABLE	SIZE A	FSCM NO. 43321
	PROJECTION 	CONFIGURATION DETAILS OF UNDIMENSIONED FEATURES MAY VARY	DWG. NO. ARTP-1A10	REV. B	SCALE: NONE CAD FILE: ARTP-1A10.SLDDRW SHEET 1 OF 1