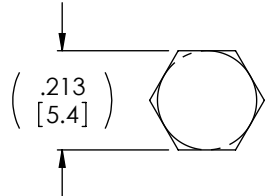
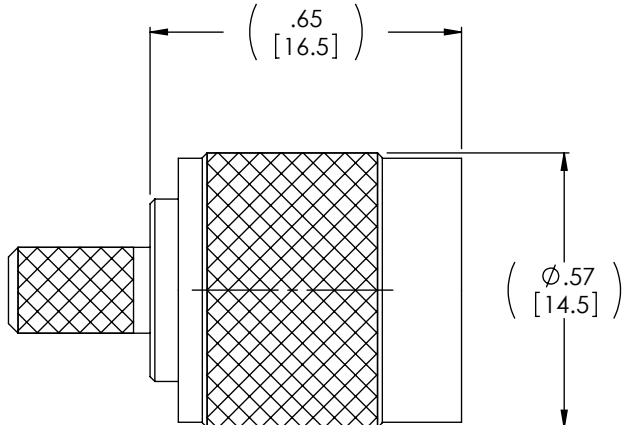
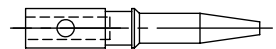
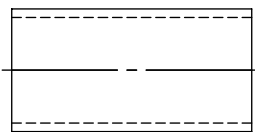


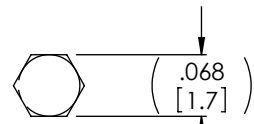
THE INFORMATION CONTAINED IN THIS DRAWING IS THE SOLE PROPERTY OF L-COM, INC. ANY REPRODUCTION IN PART OR WHOLE WITHOUT THE WRITTEN PERMISSION OF L-COM, INC. IS PROHIBITED.

REVISIONS			
REV	DESCRIPTION	DATE	APPROVED
A	INITIAL RELEASE	6/24/03	-
B	ECN 4566: REDRAW ONTO NEW FORMAT	2/26/03	D.CASTRO

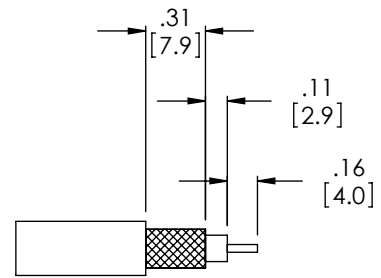
DESCRIPTION	MATERIAL	FINISH
BODY	BRASS	NICKEL PLATE
DIELECTRIC	TEFLON	-
CENTER PIN	BRASS	GOLD PLATE
FERRULE	BRASS	NICKEL PLATE
SHELL	BRASS	NICKEL PLATE
RETAINING RING	BRASS	NICKEL PLATE
GASKET	RUBBER	-



RECOMMENDED FERRULE CRIMP SIZE



RECOMMENDED PIN CRIMP SIZE



RECOMMENDED CABLE STRIPPING

NOTES:
ELECTRICAL:
 IMPEDANCE: 50 OHMS
 WITHSTAND VOLTAGE: 1500V
 FREQUENCY RANGE: 0~6 GHz
 VSWR: ≤ 1.50 @ 0~6 GHz
 DURABILITY: ≥ 500 CYCLE
 CABLE RETENTION: > 40 POUNDS

MISCELLANEOUS:
 COMPONENTS SHALL BE INDIVIDUALLY PACKAGED IN ACCORDANCE WITH L-COM SPECIFICATIONS PS-0031

ALL DIMENSIONS ARE FOR REF ONLY

RoHS Compliant ✓

UNLESS OTHERWISE SPECIFIED, DIMENSIONS ARE IN INCHES [mm] DIMENSIONAL TOLERANCES: .X = ±.1 .XX = ±.02 .XXX = ±.005 ANGULAR TOLERANCES: ALL = ± 1°	APPROVALS	DATE		45 BEECHWOOD DRIVE NORTH ANDOVER, MA 01845	
	DRAWN BY A. VAJANYI	6/24/03			
	CHECKED BY A. VAJANYI	6/24/03	CATEGORY COAXIAL		
	APPROVED BY P. PESA	6/24/03	PRODUCT DESCRIPTION CONN TNC M PLUG LMR200		
PROJECTION 	COLOR VARIATIONS MAY OCCUR	SIZE A	FSCM NO. 43321	DWG. NO. ATM-1204	REV. B
		SCALE: NONE	CAD FILE: ATM-1204.SLDDRW		SHEET 1 OF 1