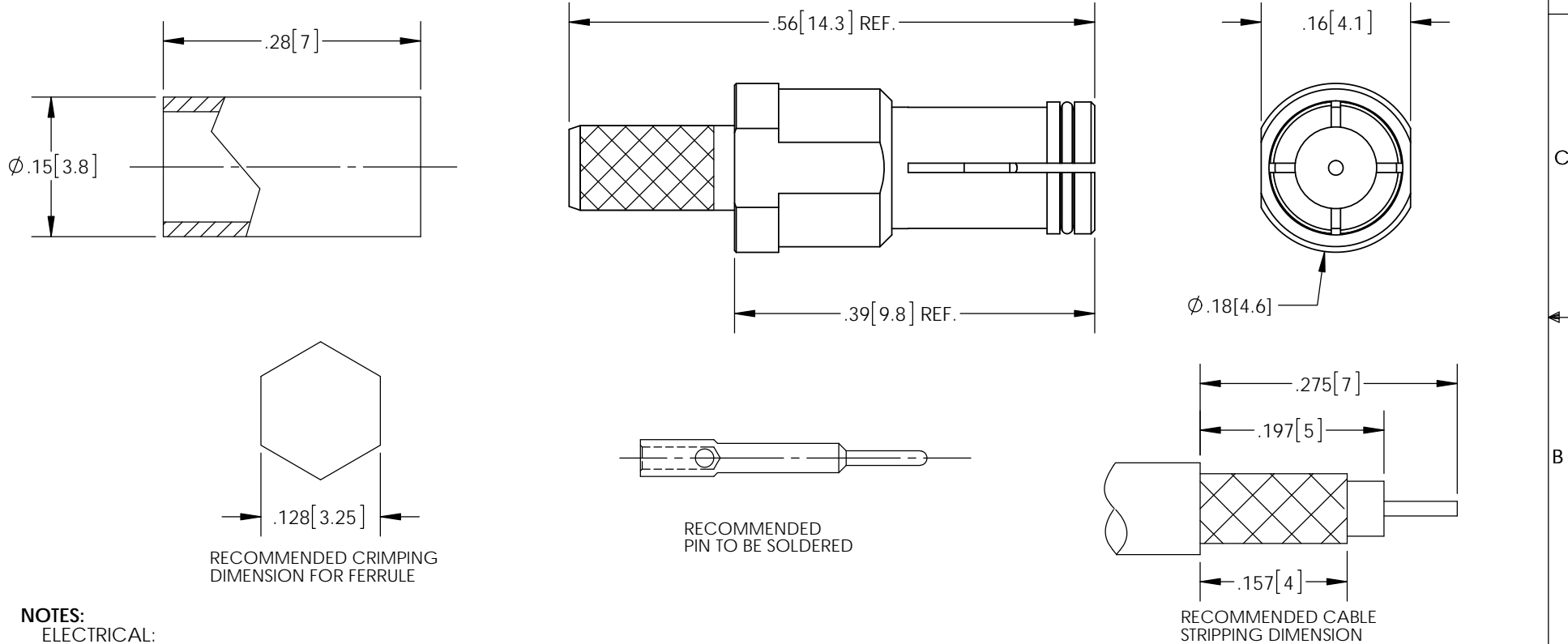


THE INFORMATION CONTAINED IN THIS DRAWING IS THE SOLE PROPERTY OF L-COM, INC. ANY REPRODUCTION IN PART OR WHOLE WITHOUT THE WRITTEN PERMISSION OF L-COM, INC. IS PROHIBITED.

REVISIONS			
REV	DESCRIPTION	DATE	APPROVED
A	INITIAL RELEASE	01/30/14	D. DESJARDIN

DESCRIPTION	MATERIAL	FINISH
BODY	BRASS	NICKEL
FERRULE	BRASS	NICKEL
INSULATOR	PTFE	---
PIN	BRASS	GOLD



NOTES:
 ELECTRICAL:
 IMPEDANCE: 50OHM
 FREQUENCY RANGE: DC~3 GHz
 INSERTION LOSS: 0.2 dB MAX.(DC~1GHz)/ 0.3dB MAX.(1-3GHz)
 VSWR: 1.3 MAX.(DC~1GHz)/ 1.5 MAX.(1-3GHz)

PACKAGING:
 COMPONENT SHALL BE INDIVIDUALLY PACKAGED IN ACCORDANCE WITH L-COM SPECIFICATION PKG-00012

REGULATORY COMPLIANCE:
 CE2011/65/EU(RoHS DIRECTIVE)

UNLESS OTHERWISE SPECIFIED, DIMENSIONS ARE IN INCHES [mm] DIMENSIONAL TOLERANCES: .X = ±.1 [2.54] .XX = ±.01 [.25] .XXX = ±.005 [.13] ANGULAR TOLERANCES: ALL = ± 1°	APPROVALS	DATE		45 BEECHWOOD DRIVE NORTH ANDOVER, MA 01845
	DRAWN BY B.PUCHASKI	01/29/14		
	CHECKED BY K.BURGNER	01/29/14	CATEGORY COAXIAL	
	APPROVED BY P.PESA	01/29/14	PRODUCT DESCRIPTION TS9 PLUG CRIMP CONNECTOR FOR LMR-100,RG316/174/188/179	
COLOR VARIATIONS MAY OCCUR	SIZE A	FSCM NO. 43321	DWG. NO. ATS9P-1100	REV. A
SCALE: NONE		CAD FILE: ATS9P-1100.SLDDRW		SHEET 1 OF 1