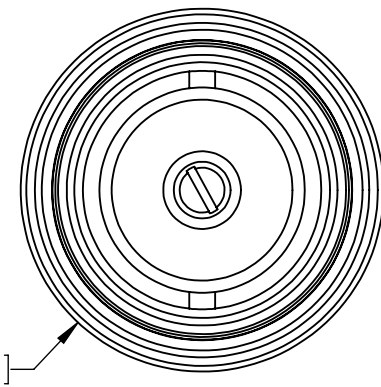
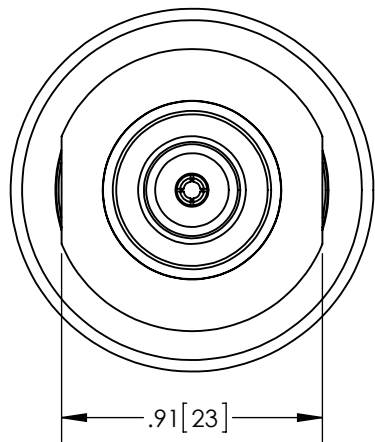
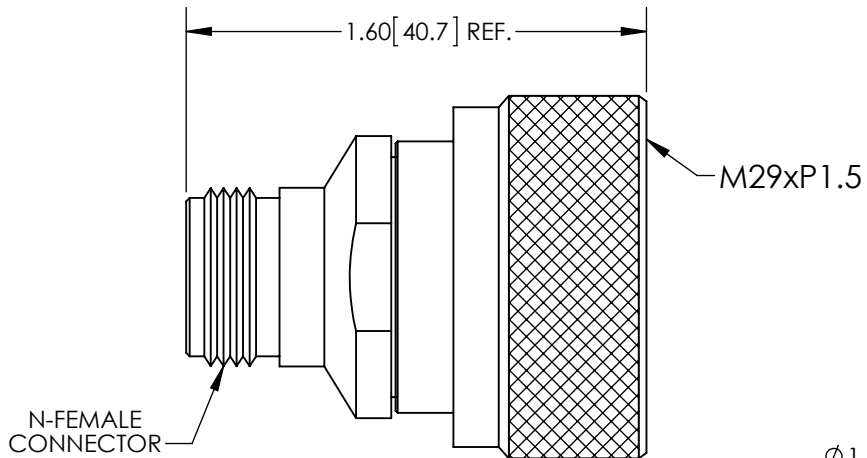
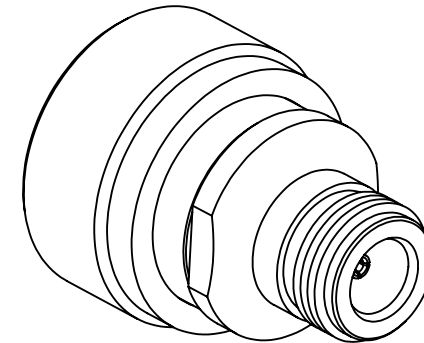


THE INFORMATION CONTAINED IN THIS DRAWING IS THE SOLE PROPERTY OF L-COM, INC. ANY REPRODUCTION IN PART OR WHOLE WITHOUT THE WRITTEN PERMISSION OF L-COM, INC. IS PROHIBITED.

REVISIONS			
REV	DESCRIPTION	DATE	APPROVED
A	INITIAL RELEASE	6/28/13	D.GRIFFIN
-	-	-	-
-	-	-	-

DESCRIPTION	MATERIAL	FINISH
BODY	BRASS	SILVER
SHELL	BRASS	NICKEL
INSULATOR	PTFE	---
CENTER PIN	P. BRONZE	SILVER



**NOTES:**

**ELECTRICAL:**  
 IMPEDANCE: 50OHM  
 FREQUENCY RANGE: DC~6 GHz  
 INSERTION LOSS: .2 dB MAX.  
 WORKING VOLTAGE: 2700 VRMS MAX.  
 DIELECTRIC WITHSTANDING VOLTAGE: 4000 VRMS MIN.

**PACKAGING:**  
 COMPONENT SHALL BE INDIVIDUALLY PACKAGED IN ACCORDANCE WITH L-COM SPECIFICATION PKG-00012

**REGULATORY COMPLIANCE:**  
 RoHS, CE

UNLESS OTHERWISE SPECIFIED, DIMENSIONS ARE IN INCHES [mm]	APPROVALS	DATE		45 BEECHWOOD DRIVE NORTH ANDOVER, MA 01845
	DRAWN BY B.PUCHASKI	06/27/13		
DIMENSIONAL TOLERANCES: .X = ±.1 .XX = ±.01 .XXX = ±.005	CHECKED BY K.BURGNER	06/27/13	CATEGORY COAXIAL	
	APPROVED BY P.PESA	06/27/13	PRODUCT DESCRIPTION N-FEMALE TO 7/16 DIN MALE ADAPTOR	
ANGULAR TOLERANCES: ALL = ± 1°	CONFIGURATION DETAILS OF UNDIMENSIONED FEATURES MAY VARY		SIZE <b>A</b>	FSCM NO. <b>43321</b>
PROJECTION 	COLOR VARIATIONS MAY OCCUR		DWG. NO. AXA-NFDM	REV. <b>A</b>
			SCALE: NONE	CAD FILE: AXA-NFDM.SLDDRW
			SHEET 1 OF 1	