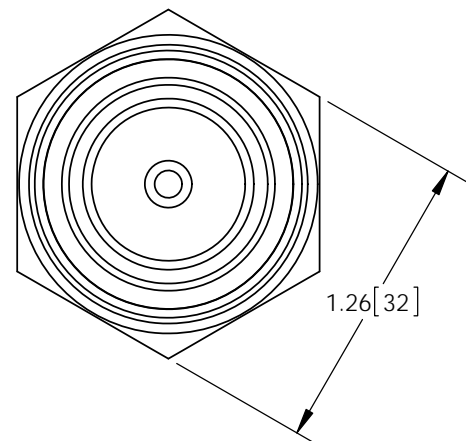
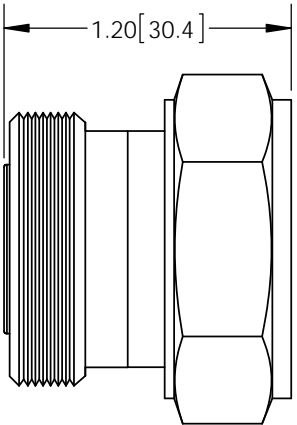
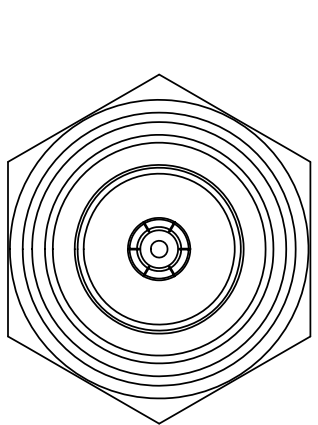


THE INFORMATION CONTAINED IN THIS DRAWING IS THE SOLE PROPERTY OF L-COM, INC. ANY REPRODUCTION IN PART OR WHOLE WITHOUT THE WRITTEN PERMISSION OF L-COM, INC. IS PROHIBITED.

REVISIONS			
REV	DESCRIPTION	DATE	APPROVED
A	INITIAL RELEASE	10/28/15	D.GRIFFIN

DESCRIPTION	MATERIAL	FINISH
GASKETS	SILICONE RUBBER	---
BODY	BRASS	CuSnZn3
INSULATOR	PTFE	SILVER
CENTER CONTACT	BRONZE	SILVER



NOTES:
 ELECTRICAL:
 IMPEDANCE: 50 OHM
 FREQUENCY RANGE: DC-3GHz
 VSWR: ≤ 1.1 (DC-3GHz)
 PASSIVE INTERMODULATION(PIM): ≤ -160 dBc
 DIELECTRIC WITHSTANDING VOLTAGE: 4000V
 INSERTION LOSS: $\leq .05$ dB@900MHz
 INSULATION RESISTANCE: ≥ 1000 M OHM
 CONTACT RESISTANCE:
 CENTER CONTACT: ≤ 0.4 m OHM
 OUTER CONTACT: ≤ 0.2 m OHM

MECHANICAL:
 DURABILITY: ≥ 500
 INTERFACE DIMENSIONS CONFORMABLE TO IEC 60169

PACKAGING:
 COMPONENT SHALL BE INDIVIDUALLY PACKAGED IN ACCORDANCE WITH L-COM SPECIFICATION PKG-00012

REGULATORY COMPLIANCE:
 CE2011/65/EU(RoHS DIRECTIVE)

UNLESS OTHERWISE SPECIFIED, DIMENSIONS ARE IN INCHES [mm] DIMENSIONAL TOLERANCES: .X = $\pm .1$ [2.54] .XX = $\pm .01$ [.25] .XXX = $\pm .005$ [.13] ANGULAR TOLERANCES: ALL = $\pm 1^\circ$	APPROVALS	DATE		45 BEECHWOOD DRIVE NORTH ANDOVER, MA 01845	
	DRAWN BY B.PUCHASKI	09/28/15			
	CHECKED BY K.BURGNER	09/28/15	CATEGORY	COAXIAL	
	APPROVED BY P.PESA	09/28/15	PRODUCT DESCRIPTION	7/16 DIN MALE TO 7/16 DIN FEMALE ADAPTER PIM RATED	
PROJECTION 	COLOR VARIATIONS MAY OCCUR	SIZE A	FSCM NO. 43321	DWG. NO. AXA-PDMDF	REV. A
		SCALE: NONE	CAD FILE: AXA-PDMDF.SLDDRW		SHEET 1 OF 1