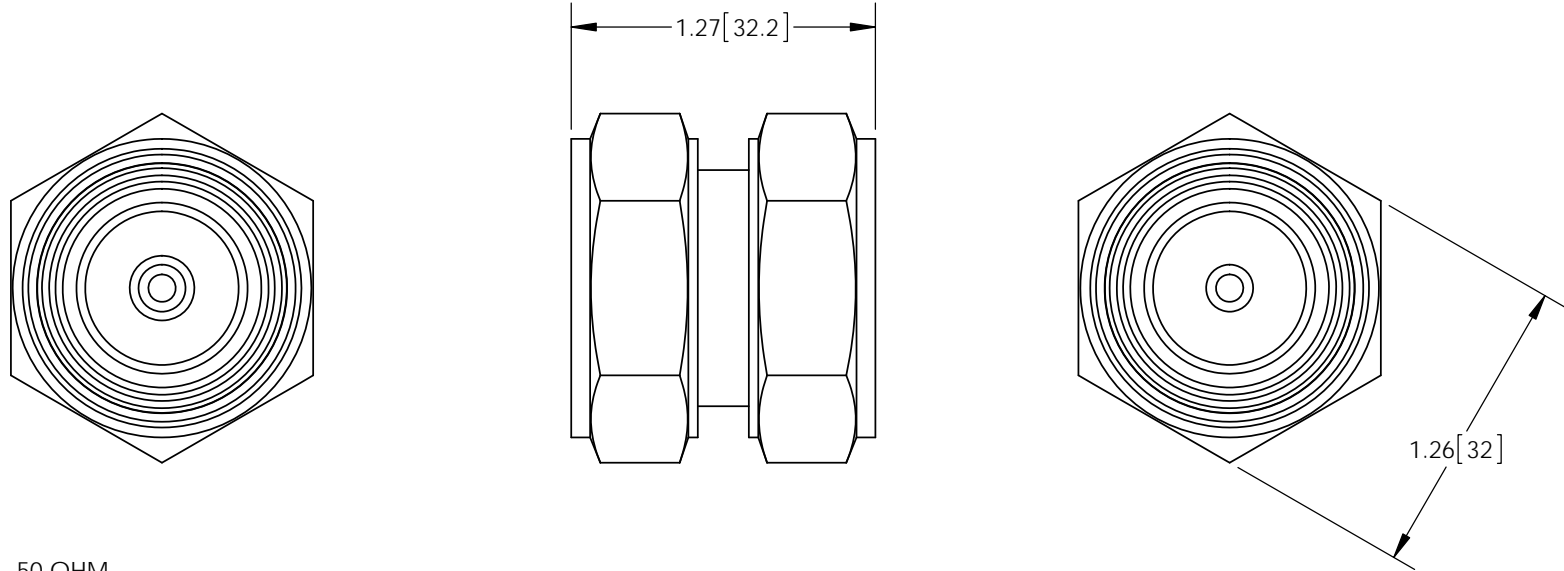


THE INFORMATION CONTAINED IN THIS DRAWING IS THE SOLE PROPERTY OF L-COM, INC. ANY REPRODUCTION IN PART OR WHOLE WITHOUT THE WRITTEN PERMISSION OF L-COM, INC. IS PROHIBITED.

REVISIONS			
REV	DESCRIPTION	DATE	APPROVED
A	INITIAL RELEASE	10/28/15	D.GRIFFIN

DESCRIPTION	MATERIAL	FINISH
GASKETS	SILICONE RUBBER	---
BODY	BRASS	CuSnZn3
INSULATOR	PTFE	SILVER
CENTER CONTACT	BRONZE	SILVER



NOTES:

ELECTRICAL:
 IMPEDANCE: 50 OHM
 FREQUENCY RANGE: DC-3GHz
 VSWR: ≤ 1.1 (DC-3GHz)
 PASSIVE INTERMODULATION(PIM): ≤ -160dBc
 DIELECTRIC WITHSTANDING VOLTAGE: 4000V
 INSERTION LOSS: ≤ .05 dB@900MHZ
 INSULATION RESISTANCE: ≥ 1000M OHM
CONTACT RESISTANCE:
 CENTER CONTACT: ≤ 0.4m OHM
 OUTER CONTACT: ≤ 0.2m OHM

MECHANICAL:
 DURABILITY: ≥ 500
 INTERFACE DIMENSIONS CONFORMABLE TO IEC 60169

PACKAGING:
 COMPONENT SHALL BE INDIVIDUALLY PACKAGED IN ACCORDANCE WITH L-COM SPECIFICATION PKG-00012

REGULATORY COMPLIANCE:
 CE2011/65/EU(RoHS DIRECTIVE)

UNLESS OTHERWISE SPECIFIED, DIMENSIONS ARE IN INCHES [mm] DIMENSIONAL TOLERANCES: .X = ±.1 [2.54] .XX = ±.01 [.25] .XXX = ±.005 [.13] ANGULAR TOLERANCES: ALL = ± 1° PROJECTION 	APPROVALS DRAWN BY B.PUCHASKI CHECKED BY K.BURGNER APPROVED BY P.PESA	DATE 09/28/15 09/28/15 09/28/15	45 BEECHWOOD DRIVE NORTH ANDOVER, MA 01845	
	CATEGORY COAXIAL			
	CONFIGURATION DETAILS OF UNDIMENSIONED FEATURES MAY VARY		PRODUCT DESCRIPTION 7/16 DIN MALE TO 7/16 DIN MALE ADAPTER PIM RATED	
	COLOR VARIATIONS MAY OCCUR	SIZE A	FSCM NO. 43321	DWG. NO. AXA-PDMDM