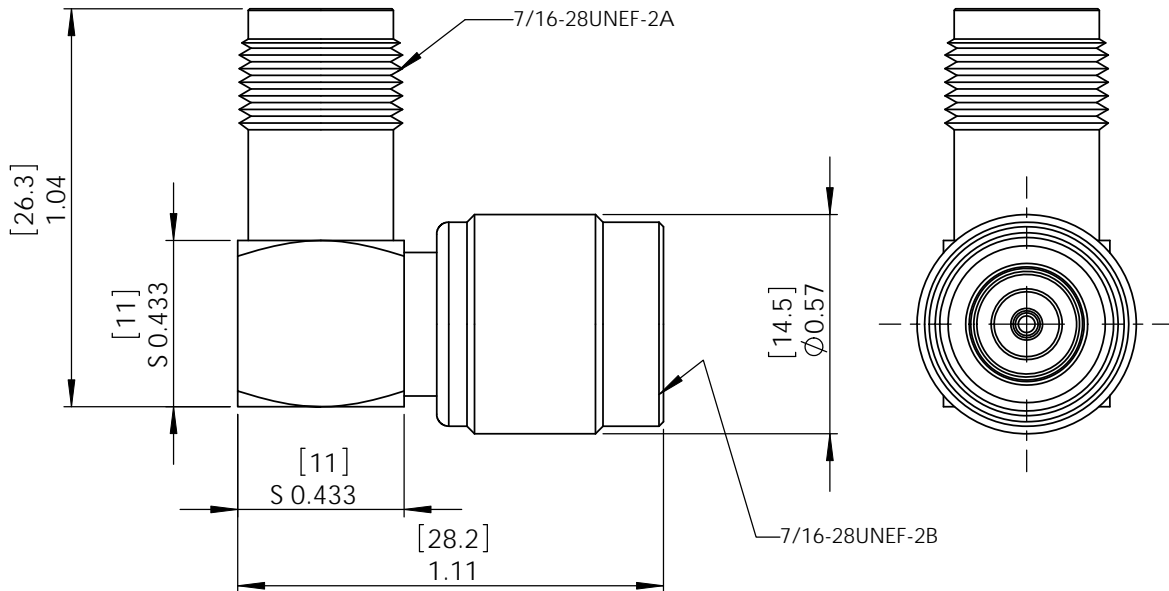
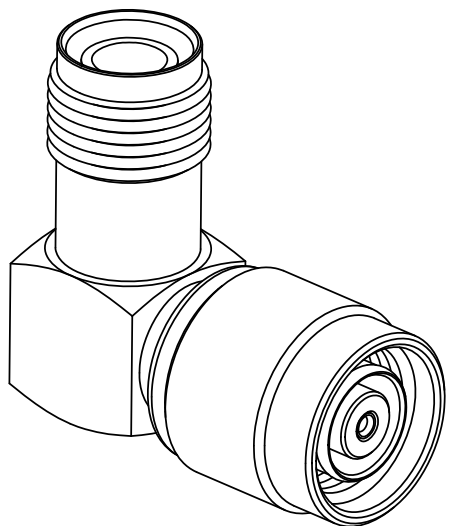
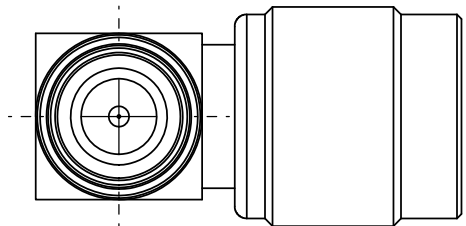


THE INFORMATION CONTAINED IN THIS DRAWING IS THE SOLE PROPERTY OF L-COM, INC. ANY REPRODUCTION IN PART OR WHOLE WITHOUT THE WRITTEN PERMISSION OF L-COM, INC. IS PROHIBITED.

REVISIONS			
REV	DESCRIPTION	DATE	APPROVED
A	Initial Release	06/22/10	B.Puchaski

DESCRIPTION	MATERIAL	FINISH
CENTER PIN-1	BRASS	GOLD
CENTER PIN-2	BRASS	GOLD
BODY-1	BRASS	NICKEL
BODY-2	BRASS	NICKEL
RETAINING RING	BRASS	NICKEL
GASKET	RUBBER	---
INSULATOR-1	PTFE	---
INSULATOR-2	PTFE	---



**NOTES:**

**ELECTRICAL:**  
 IMPEDENCE: 50 OHMS  
 VOLTAGE RATING: 500 VOLTS PEAK  
 WITHSTAND VOLTAGE: 1000V  
 FREQUENCY RANGE: DC~6 GHz  
 INSERTION LOSS: .2 dB MAX

**RoHS Compliant**

**MISCELLANEOUS:**  
 COMPONENTS SHALL BE INDIVIDUALLY PACKAGED IN ACCORDANCE WITH L-COM SPECIFICATIONS PS-0031.

ALL DIMENSIONS ARE FOR REFERENCE ONLY.

UNLESS OTHERWISE SPECIFIED, DIMENSIONS ARE IN INCHES [mm]  DIMENSIONAL TOLERANCES: .X = ±.1 .XX = ±.01 .XXX = ±.005  ANGULAR TOLERANCES: ALL = ± 1°  PROJECTION	APPROVALS DRAWN BY B.Puchaski	DATE 06/22/10	45 BEECHWOOD DRIVE NORTH ANDOVER, MA 01845	
	CHECKED BY K.Burgner	DATE 06/22/10		CATEGORY CONNECTOR
	APPROVED BY K.Burgner	DATE 06/22/10	PRODUCT DESCRIPTION RP-TNC Plug to RP-TNC Jack Right Angle	
	CONFIGURATION DETAILS OF UNDIMENSIONED FEATURES MAY VARY	SIZE <b>A</b>	FSCM NO. <b>43321</b>	DWG. NO. AXA-RTPRTJ90
COLOR VARIATIONS MAY OCCUR		SCALE: NONE	CAD FILE: AXA-RTPRTJ90.SLDDRW	REV. <b>A</b>
			SHEET 1 OF 1	