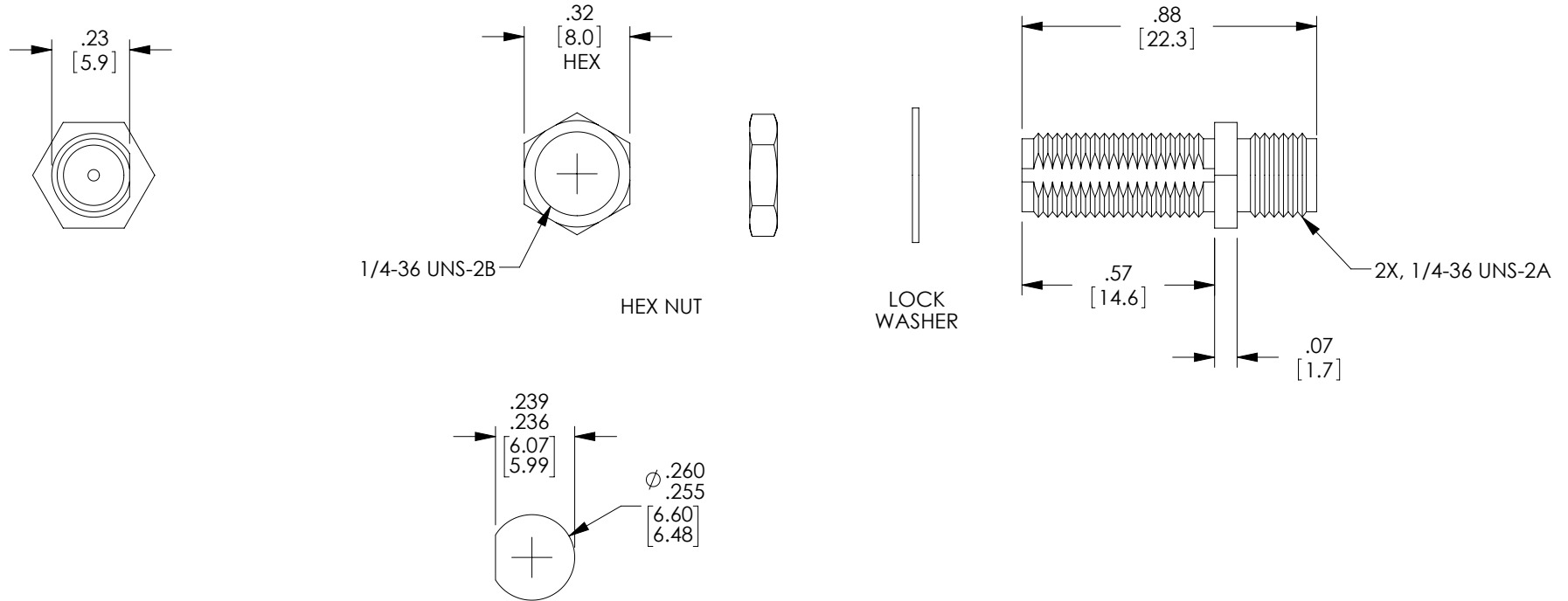


THE INFORMATION CONTAINED IN THIS DRAWING IS THE SOLE PROPERTY OF L-COM, INC. ANY REPRODUCTION IN PART OR WHOLE WITHOUT THE WRITTEN PERMISSION OF L-COM, INC. IS PROHIBITED.

REVISIONS			
REV	DESCRIPTION	DATE	APPROVED
A	INITIAL RELEASE	03/27/2012	P.PESA
B	ECN 9793: ADDED RECOMMENDED PANEL CUTOUT	04/12/2019	SELLIS

DESCRIPTION	MATERIAL	FINISH
BODY	BRASS	NICKEL PLATE
DIELECTRIC	TEFLON	--
CENTER PIN	BRASS	GOLD PLATE
LOCK WASHER	BRASS	NICKEL PLATE
NUT	BRASS	NICKEL PLATE



RECOMMENDED PANEL CUTOUT

NOTES:

IMPEDANCE: 50 OHMS
 FREQUENCY RANGE: DC ~ 6 GHz
 VOLTAGE RATING: 500 VOLTS PEAK
 DIELECTRIC WITHSTANDING VOLTAGE: 1000 VOLTS RMS
 INSERTION LOSS: .15 dB MAX.

DIMENSIONS ARE FOR REFERENCE ONLY.

COMPONENT SHALL BE INDIVIDUALLY PACKAGED IN ACCORDANCE WITH L-COM SPECIFICATION PS-0031.

UNLESS OTHERWISE SPECIFIED, DIMENSIONS ARE IN INCHES [mm] OVERALL CABLE LENGTH TOLERANCE: ≤12 [305] = +1 [25] / -0 >12 [305] ≤60 [1524] = +2 [51] / -0 >60 [1524] ≤120 [3048] = +4 [102] / -0 >120 [3048] ≤300 [7620] = +6 [152] / -0 >300 [7620] = +5% / -0%	APPROVALS	DATE	50 HIGH STREET NORTH ANDOVER, MA 01845	
	DRAWN BY DFRISIELLO	03/26/2012		
ALL OTHER DIMENSIONAL TOLERANCES: .X = ± .2 [5.08] .XX = ± .02 [1.51] .XXX = ± .005 [1.13]	CHECKED BY K.BURGNER	03/26/2012	PRODUCT DESCRIPTION ADP,SMA F to SMA F BLKHD BULLET	
	APPROVED BY P.PESA	03/26/2012		
PROJECTION 	CONFIGURATION DETAILS OF UNDIMENSIONED FEATURES MAY VARY		SCALE: NONE CAD FILE: AXA-SFSFB.SLDDRW SHEET 1 OF 1	
COLOR VARIATIONS MAY OCCUR				