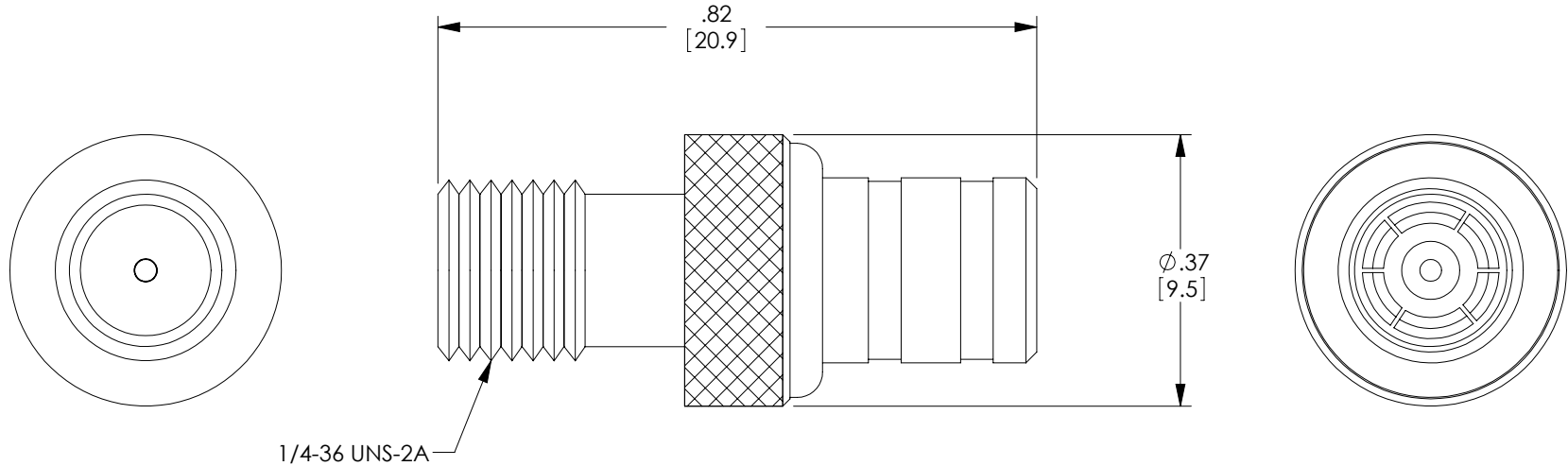


THE INFORMATION CONTAINED IN THIS DRAWING IS THE SOLE PROPERTY OF L-COM, INC. ANY REPRODUCTION IN PART OR WHOLE WITHOUT THE WRITTEN PERMISSION OF L-COM, INC. IS PROHIBITED.

REVISIONS			
REV	DESCRIPTION	DATE	APPROVED
A	INITIAL RELEASE	9/15/10	D.GRIFFIN

DESCRIPTION	MATERIAL	FINISH
BODY	BRASS	NICKEL PLATE
INSULATOR	TEFLON	-
CONTACT PIN	BERYLLIUM COPPER	GOLD PLATE
O-RING	BERYLLIUM COPPER	-



NOTES:

ELECTRICAL:
 IMPEDANCE: 50 OHM
 FREQUENCY RANGE: DC ~ 6GHZ
 INSERTION LOSS: .2 dB MAX.

COMPONENT SHALL BE INDIVIDUALLY PACKAGED IN ACCORDANCE WITH L-COM SPECIFICATION PS-0031.

ALL DIMENSIONS ARE FOR REFERENCE ONLY.

RoHS Compliant ✓

UNLESS OTHERWISE SPECIFIED, DIMENSIONS ARE IN INCHES [mm] OVERALL CABLE LENGTH TOLERANCE: ≤ 12 [305] = +1 [25] / -0 > 12 [305] ≤ 60 [1524] = +2 [51] / -0 > 60 [1524] ≤ 120 [3048] = +4 [102] / -0 > 120 [3048] ≤ 300 [7620] = +6 [152] / -0 > 300 [7620] = +3% / -0% ALL OTHER DIMENSIONAL TOLERANCES: .X = ± .2 .XX = ± .02 .XXX = ± .005	APPROVALS DRAWN BY D.FRISIELLO CHECKED BY K.BURGNER APPROVED BY K.BURGNER	DATE 9/14/10 9/14/10 9/14/10	45 BEECHWOOD DRIVE NORTH ANDOVER, MA 01845		
	CONFIGURATION DETAILS OF UNDIMENSIONED FEATURES MAY VARY	CATEGORY COAXIAL		PRODUCT DESCRIPTION ADAPTER, SMA-F/SMB-M	
PROJECTION 	COLOR VARIATIONS MAY OCCUR	SIZE A	FSCM NO. 43321	DWG. NO. AXA-SMBPSF	REV. A
		SCALE: NONE	CAD FILE: AXA-SMBPSF.SLDDRW	SHEET 1 OF 1	