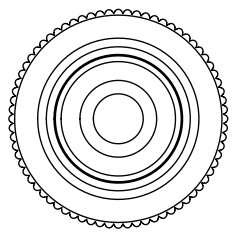
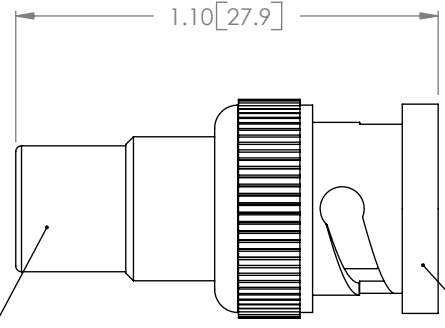


THE INFORMATION CONTAINED IN THIS DRAWING IS THE SOLE PROPERTY OF L-COM, INC. ANY REPRODUCTION IN PART OR WHOLE WITHOUT THE WRITTEN PERMISSION OF L-COM, INC. IS PROHIBITED.

REVISIONS			
REV	DESCRIPTION	DATE	CHANGED BY
A	RELEASED FOR PRODUCTION	11/02/01	MCCORMICK
B	PRODUCT VALIDATION UPDATES (ECN 1204)	12/16/02	MCCORMICK
C	ECN 3112: UPDATE DWG FORMAT	12/13/07	D.GRIFFIN

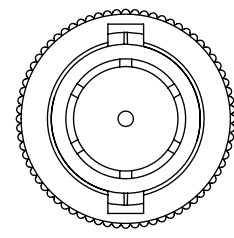


PHONE RCA JACK



1.10 [27.9]

BNC PLUG



NOTE:

**MATERIAL:**  
 NICKEL PLATED BRASS  
 GOLD PLATED CENTER CONTACTS  
 IMPEDANCE: 75 OHMS

**RoHS Compliant** ✓

UNLESS OTHERWISE SPECIFIED, DIMENSIONS ARE IN INCHES [mm] TOLERANCES TO BE: .X ±.1 [2.5] ANGLES ±2° .XX ±.01 [.25] .XXX ±.005 [.13] OVERALL CABLE LENGTH TOL: ≤ 60 [1524] +3 [76.2] / -0 > 60 [1524] +5% / -0%	APPROVALS	DATE
	DRAWN BY MCCORMICK	11/01/01
	CHECKED BY ENG	11/01/01
	APPROVED BY R.CARRICK	11/01/01
PROJ	CONFIGURATION DETAILS OF UNDIMENSIONED FEATURES MAY VARY	

<b>L-com</b> CONNECTIVITY PRODUCTS	45 BEECHWOOD DRIVE NORTH ANDOVER, MA 01845		
	CATEGORY COAXIAL		
PRODUCT DESCRIPTION BNC PLUG TO RCA JACK			
SIZE <b>A</b>	FSCM NO. <b>43321</b>	DWG. NO. BA018	REV. <b>C</b>
SCALE: NONE		CAD FILE: BA018.SLDDRW	SHEET 1 OF 1