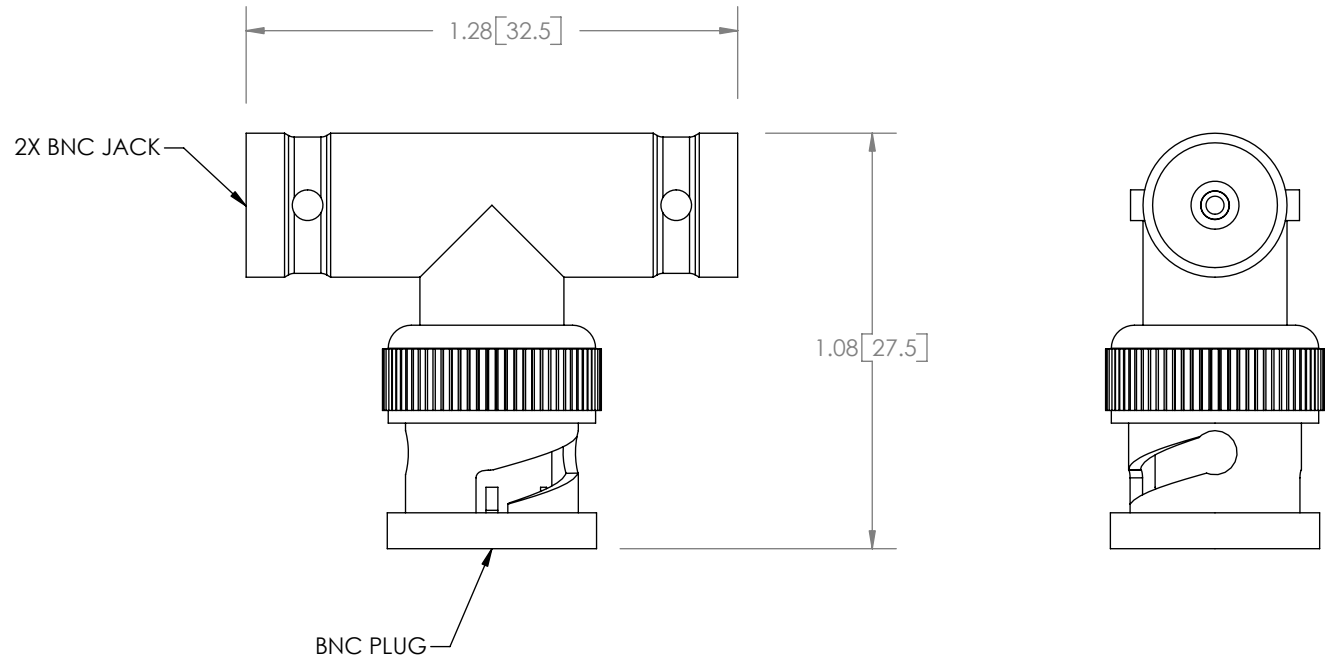


THE INFORMATION CONTAINED IN THIS DRAWING IS THE SOLE PROPERTY OF L-COM, INC. ANY REPRODUCTION IN PART OR WHOLE WITHOUT THE WRITTEN PERMISSION OF L-COM, INC. IS PROHIBITED.

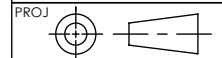
REVISIONS			
REV	DESCRIPTION	DATE	CHANGED BY
A	RELEASED TO PRODUCTION	6/19/00	R.CARRICK
B	ECN 3112: UPDATE DWG FORMAT	12/13/07	D.GRIFFIN



NOTES:
 1. MATERIAL: BRASS
 2. FINISH: NICKLE PLATE
 3. IMPEDANCE: 75 OHMS

RoHS Compliant ✓

UNLESS OTHERWISE SPECIFIED,
 DIMENSIONS ARE IN INCHES [mm]
 TOLERANCES TO BE:
 .X ±.1 [2.5] ANGLES ±2°
 .XX ±.01 [.25]
 .XXX ±.005 [.13]
 OVERALL CABLE LENGTH TOL:
 ≤ 60 [1524] +3 [76.2] / -0
 > 60 [1524] +5% / -0%



APPROVALS	DATE
DRAWN BY RON CARRICK	6/14/2000
CHECKED BY DFP	6/19/2000
APPROVED BY ZW	6/19/2000

CONFIGURATION DETAILS OF
 UNDIMENSIONED FEATURES
 MAY VARY

	45 BEECHWOOD DRIVE NORTH ANDOVER, MA 01845	
	CATEGORY	COAXIAL
PRODUCT DESCRIPTION		2X BNC JACK TO BNC PLUG TEE
SIZE A	FSCM NO. 43321	DWG. NO. BA035
SCALE: NONE CAD FILE: BA035.SLDDRW		REV. B
SHEET 1 OF 1		