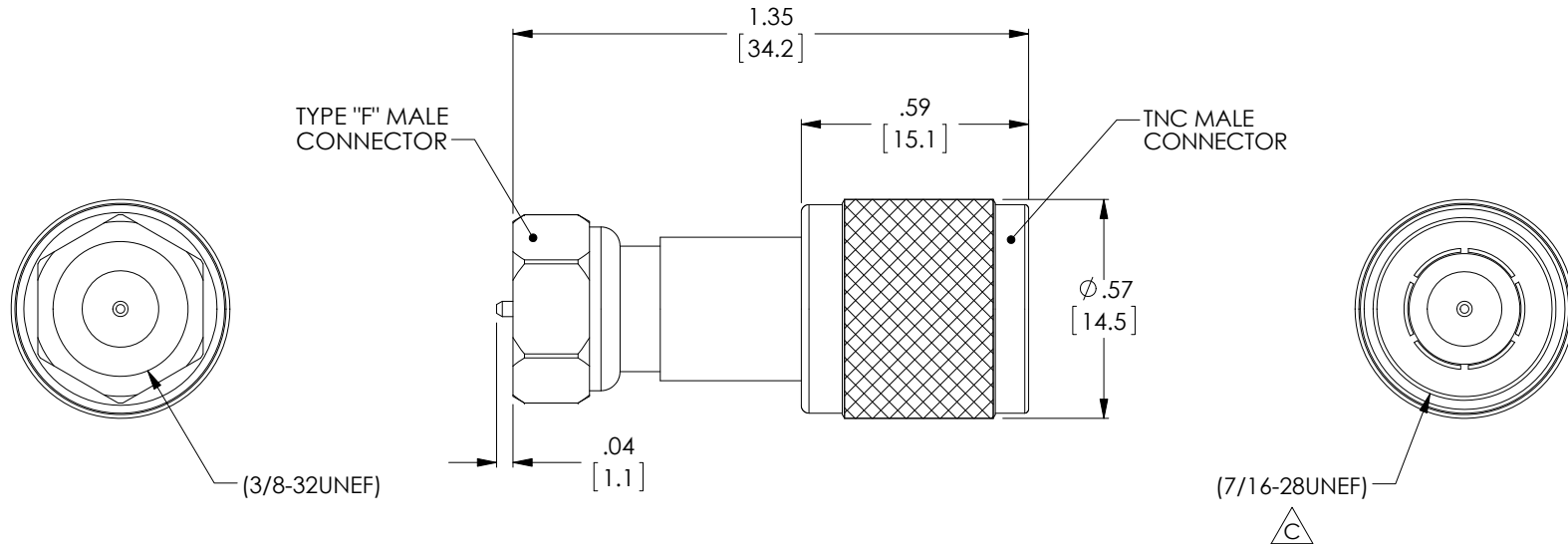


THE INFORMATION CONTAINED IN THIS DRAWING IS THE SOLE PROPERTY OF L-COM, INC. ANY REPRODUCTION IN PART OR WHOLE WITHOUT THE WRITTEN PERMISSION OF L-COM, INC. IS PROHIBITED.

RoHS Compliant ✓

REVISIONS			
REV	DESCRIPTION	DATE	APPROVED
A	RELEASED FOR PRODUCTION	02/07/01	MCCORMICK
B	ECN 3119: UPDATE DWG FORMAT	12/18/07	D.GRIFFIN
C	ECN 6708: CHANGED TNC THREAD TO 7/16-28 UNEF. UPDATED FORM/PKG.	2/27/13	D. DESJARDIN



NOTES:

MATERIAL:
 BODY: BRASS
 INSULATOR: WHITE ACETAL
 BODY FINISH: NICKEL PLATED

MISCELLANEOUS:
 COMPONENT SHALL BE INDIVIDUALLY PACKAGED IN ACCORDANCE WITH L-COM SPECIFICATION PS-0031.

ALL DIMENSIONS ARE FOR REFERENCE ONLY

UNLESS OTHERWISE SPECIFIED, DIMENSIONS ARE IN INCHES [mm] OVERALL CABLE LENGTH TOLERANCE: ≤ 12 [305] = +1 [25] / -0 > 12 [305] ≤ 60 [1524] = +2 [51] / -0 > 60 [1524] ≤ 120 [3048] = +4 [102] / -0 > 120 [3048] ≤ 300 [7620] = +6 [152] / -0 > 300 [7620] = +3% / -0% ALL OTHER DIMENSIONAL TOLERANCES: .X = $\pm .2$.XX = $\pm .02$.XXX = $\pm .005$	APPROVALS DRAWN BY C.McCORMICK CHECKED BY D.PARHAM APPROVED BY R.CARRICK	DATE 02/06/01 02/09/01 02/09/01	45 BEECHWOOD DRIVE NORTH ANDOVER, MA 01845
	CONFIGURATION DETAILS OF UNDIMENSIONED FEATURES MAY VARY		
PROJECTION 	COLOR VARIATIONS MAY OCCUR	SIZE A	FSCM NO. 43321 DWG. NO. BA121
		SCALE: NONE	CAD FILE: BA121.SLDDRW
			SHEET 1 OF 1