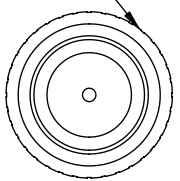


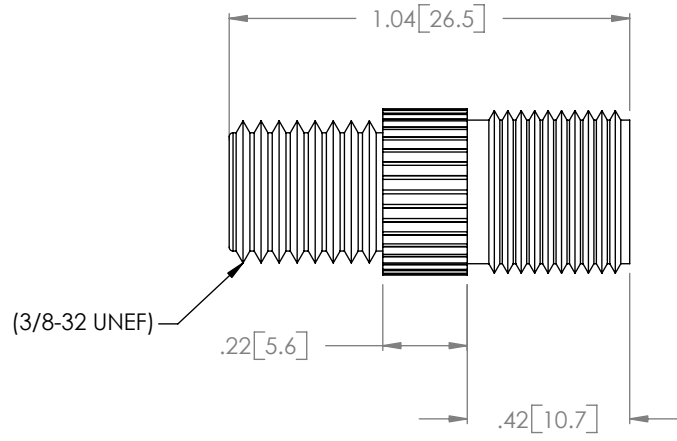
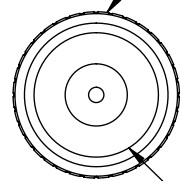
THE INFORMATION CONTAINED IN THIS DRAWING IS THE SOLE PROPERTY OF L-COM, INC. ANY REPRODUCTION IN PART OR WHOLE WITHOUT THE WRITTEN PERMISSION OF L-COM, INC. IS PROHIBITED.

REVISIONS			
REV	DESCRIPTION	DATE	CHANGED BY
A	RELEASED FOR PRODUCTION	02/09/01	MCCORMICK
B	REVISED PER ECN# 0862	03/01/01	MCCORMICK
C	ECN 3119: UPDATE DWG FORMAT	12/17/07	D.GRIFFIN

TYPE "F" FEMALE CONNECTOR



TNC FEMALE CONNECTOR

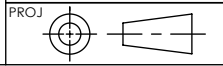


7/16-28 UNEF

NOTES:

**MATERIAL:**  
 BODY: BRASS  
 INSULATOR: WHITE DELRIN  
 BODY FINISH: NICKEL PLATED

UNLESS OTHERWISE SPECIFIED, DIMENSIONS ARE IN INCHES [mm]  
 TOLERANCES TO BE:  
 .X ±.1 [2.5] ANGLES ±2°  
 .XX ±.01 [.25]  
 .XXX ±.005 [.13]  
 OVERALL CABLE LENGTH TOL:  
 ≤ 60 [1524] +3 [76.2] / -0  
 > 60 [1524] +5% / -0%



APPROVALS	DATE
DRAWN BY C.McCORMICK	02/09/01
CHECKED BY D.PARHAM	02/09/01
APPROVED BY R.CARRICK	02/09/01

	45 BEECHWOOD DRIVE NORTH ANDOVER, MA 01845	
	CATEGORY COAXIAL	
PRODUCT DESCRIPTION TYPE F TO TNC JACK		
SIZE <b>A</b>	FSCM NO. <b>43321</b>	DWG. NO. BA127
SCALE: NONE   CAD FILE: BA127.SLDDRW		REV. <b>C</b>
SHEET 1 OF 1		

