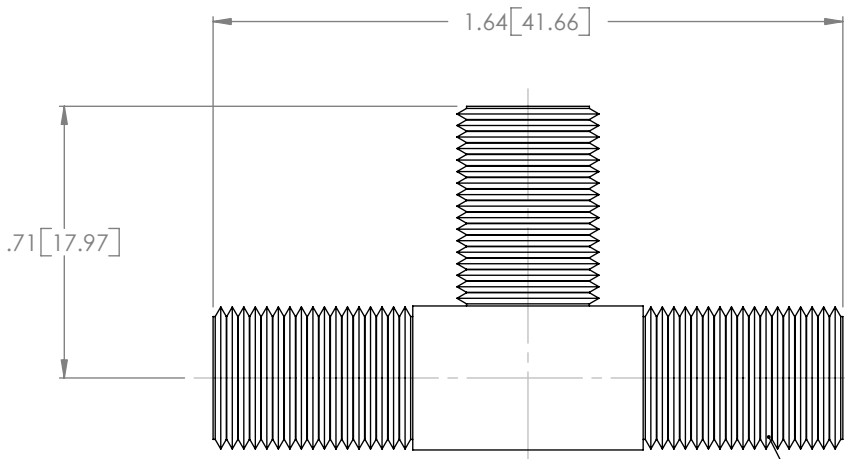
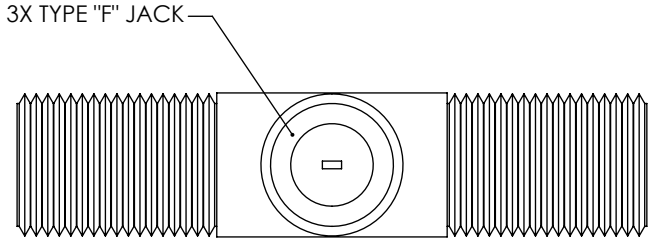


8 7 6 5 4 3 2 1

THE INFORMATION CONTAINED IN THIS DRAWING IS THE SOLE PROPERTY OF L-COM, INC.; ANY REPRODUCTION IN PART OR WHOLE WITHOUT THE WRITTEN PERMISSION OF L-COM, INC. IS PROHIBITED.

REVISIONS			
REV	DESCRIPTION	DATE	CHANGED BY
A	INITIAL RELEASE	04/07/03	MCCORMICK
B	ECN 3119: UPDATE DWG FORMAT	12/14/07	D.GRIFFIN



SPECIFICATIONS;

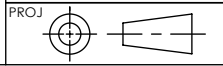
MATERIALS;
 SHELL: BRASS
 CONTACTS: PHOSPHORUS BRONZE
 INSULATOR: POLYPROPYLENE

FINISH;
 SHELL: NICKEL
 CONTACT: TIN

ELECTRICAL;
 CHARACTERISTIC IMPEDANCE: 75 OHMS

RoHS Compliant ✓

UNLESS OTHERWISE SPECIFIED,
 DIMENSIONS ARE IN INCHES [mm]
 TOLERANCES TO BE:
 .X ±.1 [2.5] ANGLES ±2°
 .XX ±.01 [.25]
 .XXX ±.005 [.13]
 OVERALL CABLE LENGTH TOL:
 ≤ 60 [1524] +3 [76.2] / -0
 > 60 [1524] +5% / -0%



APPROVALS	DATE
DRAWN BY C.MCCORMICK	04/07/2003
CHECKED BY D.PARHAM	04/07/2003
APPROVED BY R.CARRICK	04/07/2003

CONFIGURATION DETAILS OF
 UNDIMENSIONED FEATURES
 MAY VARY

L-com 45 BEECHWOOD DRIVE
 CONNECTIVITY PRODUCTS NORTH ANDOVER, MA
 01845

CATEGORY COAXIAL

PRODUCT DESCRIPTION
 ADAPTOR TEE F F/F F

SIZE	FSCM NO.	DWG. NO.	REV.
A	43321	BA132	B

SCALE: NONE | CAD FILE: BA132.SLDDRW | SHEET 1 OF 1