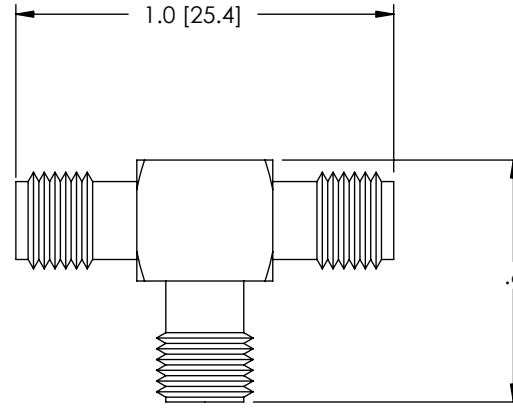
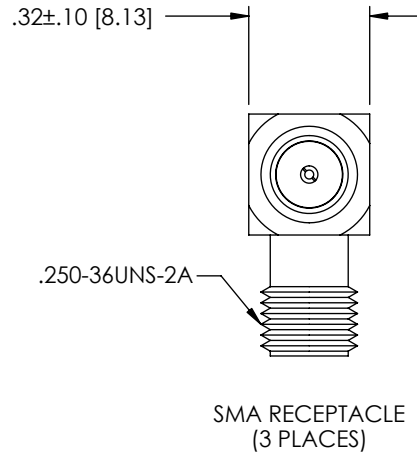


THE INFORMATION CONTAINED IN THIS DRAWING IS THE SOLE PROPERTY OF L-COM, INC. ANY REPRODUCTION IN PART OR WHOLE WITHOUT THE WRITTEN PERMISSION OF L-COM, INC. IS PROHIBITED.

REVISIONS			
REV	DESCRIPTION	DATE	CHANGED BY
A	RELEASED FOR PRODUCTION	10/18/00	TJC
B	ECN 3124: UPDATE DWG FORMAT	12/19/07	D.GRIFFIN

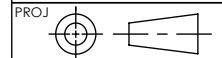


NOTES:

MATERIALS:
 BODY, NICKEL-PLATED BRASS
 INSULATOR, TEFLON
 CONTACTS, GOLD-PLATED COPPER ALLOY

RoHS Compliant ✓

UNLESS OTHERWISE SPECIFIED,
 DIMENSIONS ARE IN INCHES [mm]
 TOLERANCES TO BE:
 .X ±.1 [2.5] ANGLES ±2°
 .XX ±.01 [.25]
 .XXX ±.005 [.13]
 OVERALL CABLE LENGTH TOL:
 ≤ 60 [1524] +3 [76.2] / -0
 > 60 [1524] +5% / -0%



APPROVALS	DATE
DRAWN BY TJC	10/18/00
CHECKED BY ZW	10/18/00
APPROVED BY ENG	10/18/00

CONFIGURATION DETAILS OF
 UNDIMENSIONED FEATURES
 MAY VARY

	45 BEECHWOOD DRIVE NORTH ANDOVER, MA 01845		
	CATEGORY COAXIAL		
PRODUCT DESCRIPTION ADAPTOR TEE SMA F/F/F			
SIZE A	FSCM NO. 43321	DWG. NO. BA18	REV. B
SCALE: NONE		CAD FILE: BA18.SLDDRW	SHEET 1 OF 1