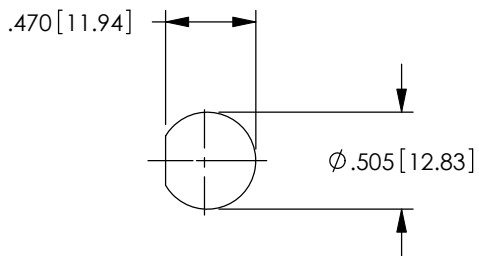
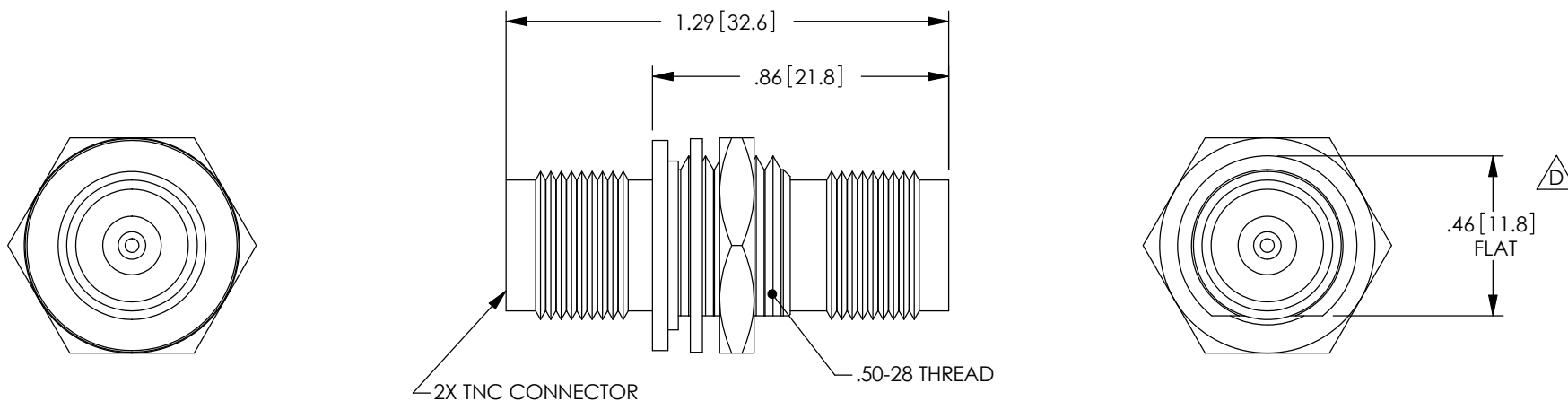
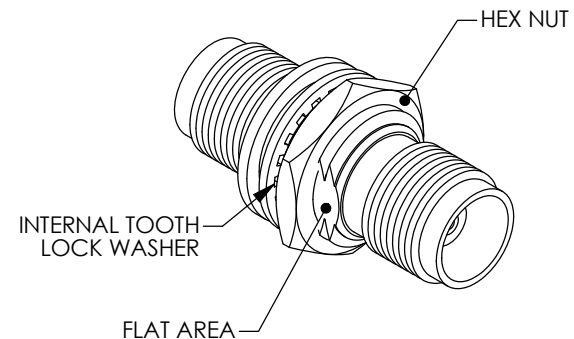


THE INFORMATION CONTAINED IN THIS DRAWING IS THE SOLE PROPERTY OF L-COM, INC. ANY REPRODUCTION IN PART OR WHOLE WITHOUT THE WRITTEN PERMISSION OF L-COM, INC. IS PROHIBITED.

REVISIONS			
REV	DESCRIPTION	DATE	APPROVED
A	RELEASED FOR PRODUCTION	09/28/01	MCCORMICK
B	ECN 3124: UPDATE DWG FORMAT	12/19/07	D.GRIFFIN
C	ECN 3703: ADDED MATERIAL AND FINISH	11/14/08	D.FRISIELLO
D	ECN 5800: ADD REFERENCE DIMENSION TO FLAT	10/25/11	D.FRISIELLO



RECOMMENDED PANEL CUTOUT



NOTES:

MATERIAL:  
 BODY: BRASS  
 CONTACT PIN: PHOSPHORUS BRONZE  
 INSULATOR: ACETAL  
 WASHER: STEEL  
 NUT: BRASS

FINISH:  
 BODY, WASHER, AND NUT: NICKEL PLATE  
 CONTACT PIN: GOLD PLATE

COMPONENT SHALL BE INDIVIDUALLY PACKAGED IN ACCORDANCE WITH L-COM SPECIFICATION PS-0031.

RoHS Compliant ✓

UNLESS OTHERWISE SPECIFIED, DIMENSIONS ARE IN INCHES [mm] OVERALL CABLE LENGTH TOLERANCE: ≤12 [305] = +1 [25] / -0 >12 [305] ≤60 [1524] = +2 [51] / -0 >60 [1524] ≤120 [3048] = +4 [102] / -0 >120 [3048] ≤300 [7620] = +6 [152] / -0 >300 [7620] = +3% / -0% ALL OTHER DIMENSIONAL TOLERANCES: .X = ±.2 .XX = ±.02 .XXX = ±.005	APPROVALS DRAWN BY MCCORMICK CHECKED BY ENG APPROVED BY R.CARRICK	DATE 09/28/01 09/28/01 09/28/01	45 BEECHWOOD DRIVE NORTH ANDOVER, MA 01845
	CONFIGURATION DETAILS OF UNDIMENSIONED FEATURES MAY VARY		
PROJECTION 	COLOR VARIATIONS MAY OCCUR	SIZE <b>A</b>	FSCM NO. <b>43321</b> DWG. NO. <b>BA2301</b>
REF		SCALE: NONE	CAD FILE: BA2301.SLDDRW SHEET 1 OF 1