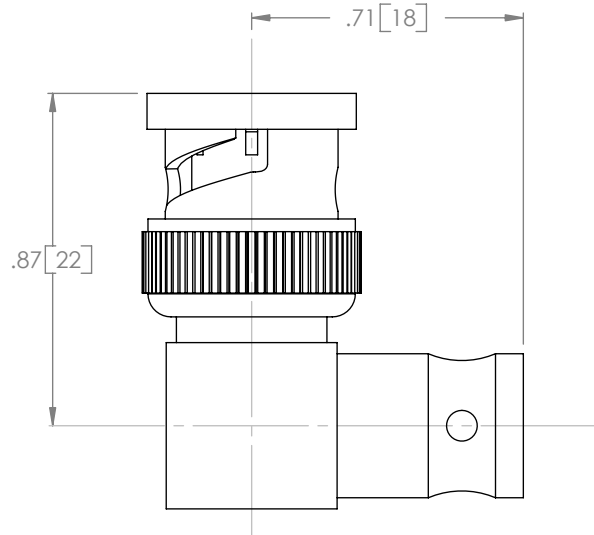
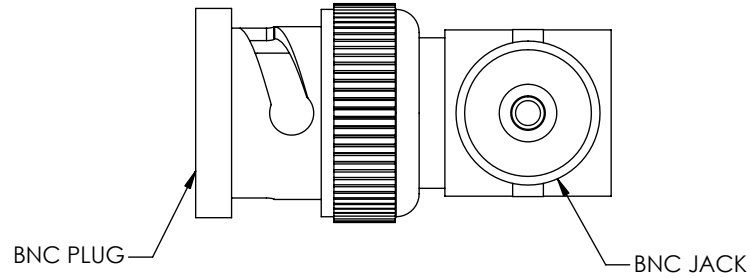
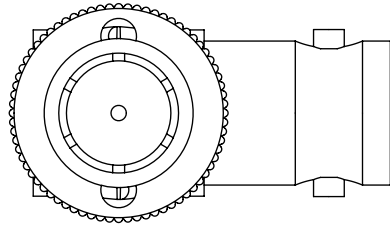


THE INFORMATION CONTAINED IN THIS DRAWING IS THE SOLE PROPERTY OF L-COM, INC. ANY REPRODUCTION IN PART OR WHOLE WITHOUT THE WRITTEN PERMISSION OF L-COM, INC. IS PROHIBITED.

REVISIONS			
REV	DESCRIPTION	DATE	CHANGED BY
A	RELEASED FOR PRODUCTION	11/19/01	MCCORMICK
B	ECN 3124: UPDATE DWG FORMAT	12/19/07	D.GRIFFIN

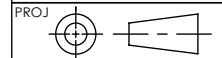


NOTES:

MATERIAL:
 BODY: NICKEL PLATED BRASS
 INSULATOR: POLYPROPYLENE
 CONTACTS: BRASS, GOLD FLASHED
 NOMINAL IMPEDANCE: 50 OHM

RoHS Compliant ✓

UNLESS OTHERWISE SPECIFIED,
 DIMENSIONS ARE IN INCHES [mm]
 TOLERANCES TO BE:
 .X ±.1 [2.5] ANGLES ±2°
 .XX ±.01 [.25]
 .XXX ±.005 [.13]
 OVERALL CABLE LENGTH TOL:
 ≤ 60 [1524] +3 [76.2] / -0
 > 60 [1524] +5% / -0%



APPROVALS	DATE
DRAWN BY MCCORMICK	11/14/01
CHECKED BY D.PARHAM	11/14/01
APPROVED BY R.CARRICK	11/14/01

CONFIGURATION DETAILS OF
 UNDIMENSIONED FEATURES
 MAY VARY

L-com CONNECTIVITY PRODUCTS		45 BEECHWOOD DRIVE NORTH ANDOVER, MA 01845	
CATEGORY COAXIAL			
PRODUCT DESCRIPTION ADAPTOR RA BNC F/BNC M			
SIZE A	FSCM NO. 43321	DWG. NO. BA240	REV. B
SCALE: NONE CAD FILE: BA240.SLDDRW			SHEET 1 OF 1