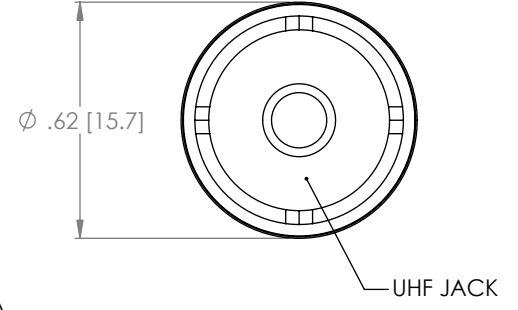
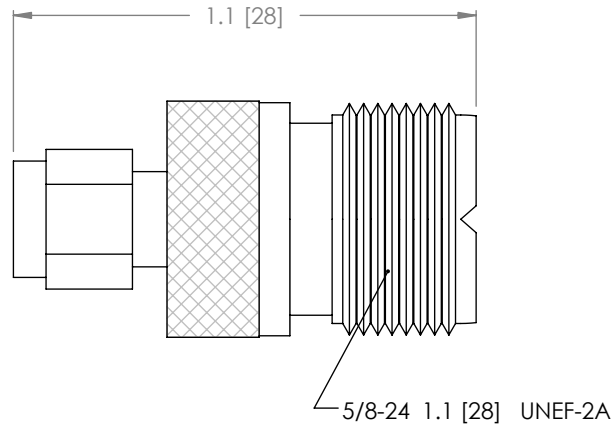
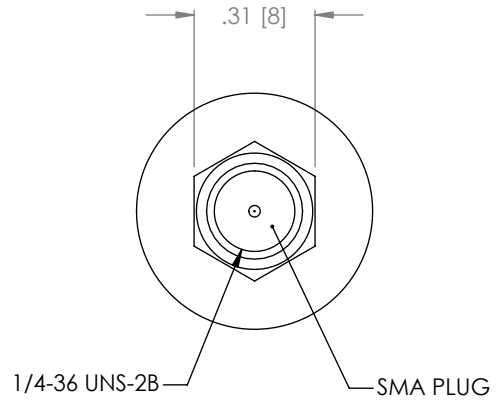


THE INFORMATION CONTAINED IN THIS DRAWING IS THE SOLE PROPERTY OF L-COM, INC. ANY REPRODUCTION IN PART OR WHOLE WITHOUT THE WRITTEN PERMISSION OF L-COM, INC. IS PROHIBITED.

REVISIONS			
REV	DESCRIPTION	DATE	CHANGED BY
A	RELEASED FOR PRODUCTION	5/7/02	TJC
B	REVISED TOLERANCE CHANGED BODY FINISH (ECN 1498)	09/12/03	MCCORMICK
C	ECN 3128: UPDATE DWG FORMAT	12/20/07	D.GRIFFIN



NOTES:

MATERIAL:
 BODY: BRASS
 DIELECTRIC: ACETAL
 CENTER PIN: BRASS

FINISH:
 BODY: NICKEL PLATED
 CENTER PIN: GOLD PLATED

RoHS Compliant ✓

UNLESS OTHERWISE SPECIFIED, DIMENSIONS ARE IN INCHES [mm] TOLERANCES TO BE: .X ±.1 [2.5] ANGLES ±2° .XX ±.01 [.25] .XXX ±.005 [.13] OVERALL CABLE LENGTH TOL: ≤ 60 [1524] +3 [76.2] / -0 > 60 [1524] +5% / -0%	APPROVALS	DATE
	DRAWN BY TJC	4/22/02
	CHECKED BY DFP	4/24/02
	APPROVED BY CM	4/24/02
	CONFIGURATION DETAILS OF UNDIMENSIONED FEATURES MAY VARY	

	45 BEECHWOOD DRIVE NORTH ANDOVER, MA 01845	
	CATEGORY	COAXIAL
PRODUCT DESCRIPTION		SMA PLUG TO UHF JACK
SIZE A	FSCM NO. 43321	DWG. NO. BA27
SCALE: NONE CAD FILE: BA27.SLDDRW		REV. C