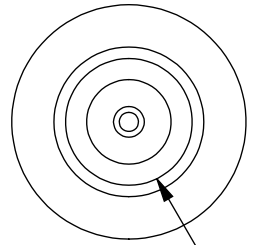
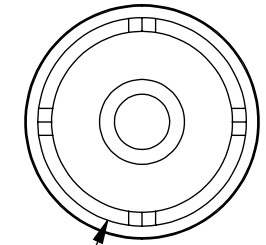
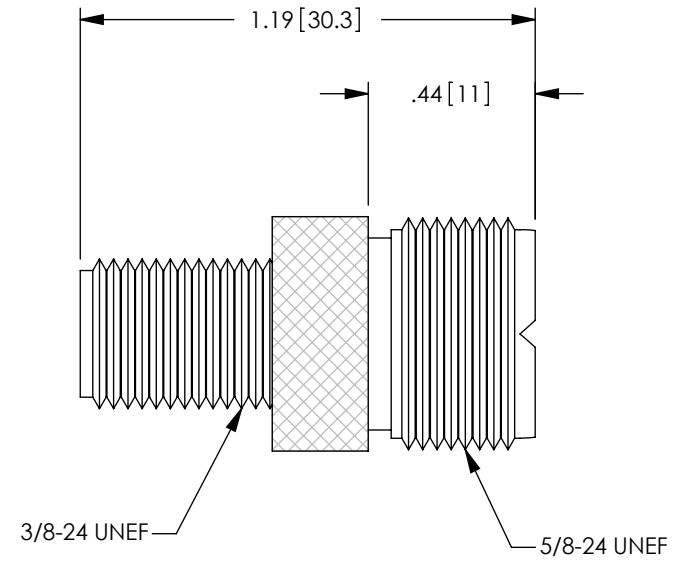


THE INFORMATION CONTAINED IN THIS DRAWING IS THE SOLE PROPERTY OF L-COM, INC. ANY REPRODUCTION IN PART OR WHOLE WITHOUT THE WRITTEN PERMISSION OF L-COM, INC. IS PROHIBITED.

REVISIONS			
REV	DESCRIPTION	DATE	APPROVED
A	RELEASED FOR PRODUCTION	12/14/01	MCCORMICK
B	ECN 3128: UPDATE DWG FORMAT	12/20/05	D.GRIFFIN
C	ECN 3776: UPDATED DIMENSIONS, NEW FORMAT	12/30/08	D.FRISIELLO



"F" JACK



UHF JACK

NOTES:

MATERIALS;
 SHELL: BRASS
 CONTACTS: BRASS
 INSULATOR: DELRIN
 CENTER PIN: BRASS

FINISH;
 SHELL: NICKEL PLATE
 CONTACT: GOLD PLATE

UNLESS OTHERWISE SPECIFIED, DIMENSIONS ARE IN INCHES [mm] OVERALL CABLE LENGTH TOLERANCE: ≤ 12 [305] = +1 [25] / -0 > 12 [305] ≤ 60 [1524] = +2 [51] / -0 > 60 [1524] ≤ 120 [3048] = +4 [102] / -0 > 120 [3048] ≤ 300 [7620] = +6 [152] / -0 > 300 [7620] = +5% / -0% ALL OTHER DIMENSIONAL TOLERANCES: .X = .3 .XX = .15	APPROVALS DRAWN BY MCCORMICK CHECKED BY D.PARHAM APPROVED BY R.CARRICK	DATE 12/05/01 12/05/01 12/05/01	45 BEECHWOOD DRIVE NORTH ANDOVER, MA 01845
	CONFIGURATION DETAILS OF UNDIMENSIONED FEATURES MAY VARY		
PROJECTION 	COLOR VARIATIONS MAY OCCUR	SIZE A	FSCM NO. 43321 DWG. NO. BA301
REF	SCALE: NONE	CAD FILE: BA301.SLDDRW	REV. C SHEET 1 OF 1