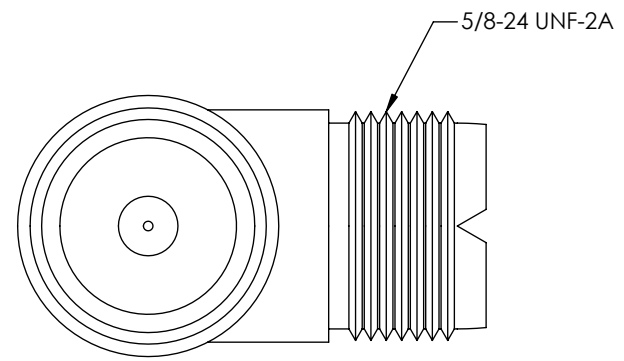
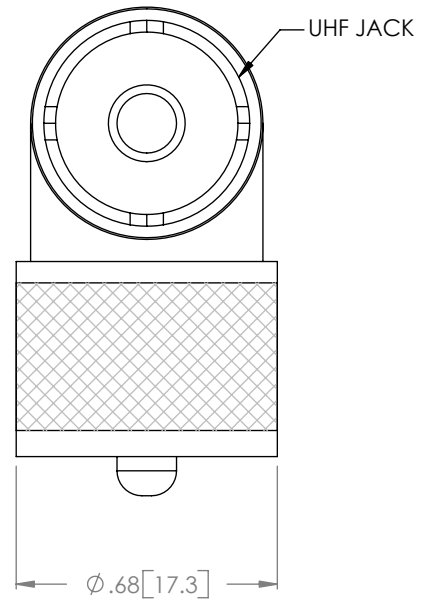
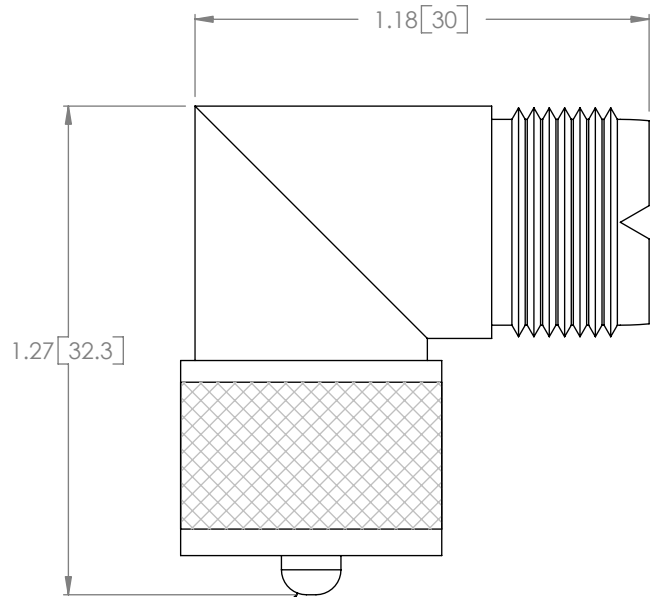


THE INFORMATION CONTAINED IN THIS DRAWING IS THE SOLE PROPERTY OF L-COM, INC. ANY REPRODUCTION IN PART OR WHOLE WITHOUT THE WRITTEN PERMISSION OF L-COM, INC. IS PROHIBITED.

REVISIONS			
REV	DESCRIPTION	DATE	CHANGED BY
A	INITIAL RELEASE	01/20/03	MCCORMICK
B	REVISED PIN PLATING FROM GOLD TO NICKEL (ECN 1578)	11/05/03	MCCORMICK
C	ECN 3129: UPDATE DWG FORMAT	12/20/07	D.GRIFFIN



**SPECIFICATIONS;**

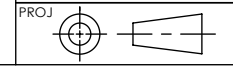
**MATERIALS;**  
 BODY: BRASS  
 PIN: BRASS  
 INSULATOR: DELRIN

**FINISH;**  
 SHELL: NICKEL  
 PIN: NICKEL

**ELECTRICAL;**  
 NOMINAL IMPEDANCE: 50 ohm

**RoHS Compliant** ✓

UNLESS OTHERWISE SPECIFIED,  
 DIMENSIONS ARE IN INCHES [mm]  
 TOLERANCES TO BE:  
 .X ±.1 [2.5] ANGLES ±2°  
 .XX ±.01 [.25]  
 .XXX ±.005 [.13]  
 OVERALL CABLE LENGTH TOL:  
 ≤ 60 [1524] +3 [76.2] / -0  
 > 60 [1524] +5% / -0%



APPROVALS	DATE
DRAWN BY MCCORMICK	12/05/01
CHECKED BY D.PARHAM	12/05/01
APPROVED BY R.CARRICK	10/20/2003

CONFIGURATION DETAILS OF  
 UNDIMENSIONED FEATURES  
 MAY VARY

<b>L-com</b> CONNECTIVITY PRODUCTS		45 BEECHWOOD DRIVE NORTH ANDOVER, MA 01845	
CATEGORY		COAXIAL	
PRODUCT DESCRIPTION		UHF RIGHT ANGLE PLUG TO JACK	
SIZE <b>A</b>	FSCM NO. <b>43321</b>	DWG. NO. <b>BA404Z</b>	REV. <b>C</b>
SCALE: NONE		CAD FILE: BA404Z.SLDDRW	
		SHEET 1 OF 1	