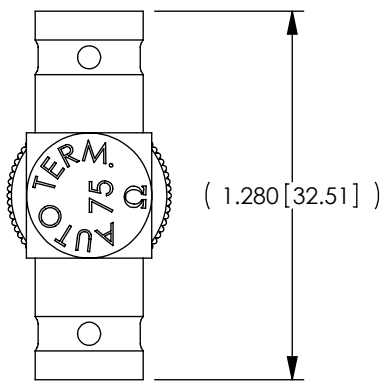
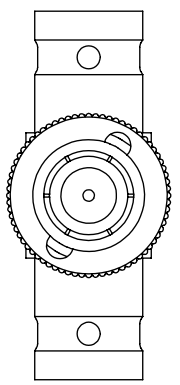
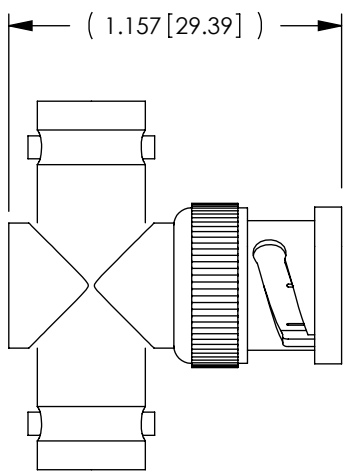


THE INFORMATION CONTAINED IN THIS DRAWING IS THE SOLE PROPERTY OF L-COM, INC. ANY REPRODUCTION IN PART OR WHOLE WITHOUT THE WRITTEN PERMISSION OF L-COM, INC. IS PROHIBITED.

REVISIONS			
REV	DESCRIPTION	DATE	APPROVED
A	RELEASED FOR PRODUCTION	5/31/02	TJC
B	ECN 3129: UPDATED DWG FORMAT	12/21/07	D.GRIFFIN
C	ECN 4045: CHG DIM FROM 1.127 TO 1.14 +/- .05	6/10/09	D.FRISIELLO
D	ECN 4111: REVISED LENGTH TO 1.157. MAKE ALL DIMS REFERENCE	7/7/09	D.FRISIELLO



2X BNC JACK



BNC PLUG

NOTES:

MATERIAL:
 BODY: ZINC ALLOY DIE CASTING
 DIELECTRIC: ACETAL
 CENTER PINS: BRASS

FINISH:
 BODY: NICKEL
 CENTER PINS: GOLD

MISCELLANEOUS:

BNC PLUGS MUST BE INSTALLED ON BOTH JACKS TO DISCONNECT 75-OHM 1/4-WATT TERMINATING RESISTOR BETWEEN OUTER SHELL AND CENTER CONDUCTOR. FOR SIGNAL LEVEL ENERGY ONLY.

RoHS Compliant ✓

UNLESS OTHERWISE SPECIFIED, DIMENSIONS ARE IN INCHES [mm] DIMENSIONAL TOLERANCES: .X = ±.1 .XX = ±.05 .XXX = ±.005 ANGULAR TOLERANCES: ALL = ± 1°	APPROVALS TJC	DATE 5/15/02		45 BEECHWOOD DRIVE NORTH ANDOVER, MA 01845	
	CHECKED BY DFP	5/28/02			CATEGORY COAXIAL
	APPROVED BY CM	5/28/02	PRODUCT DESCRIPTION BNC 75-OHM TERMINATED "TEE" ADAPTER		
	CONFIGURATION DETAILS OF UNDIMENSIONED FEATURES MAY VARY	SIZE A	FSCM NO. 43321	DWG. NO. BA45-75	REV. D
PROJECTION 	COLOR VARIATIONS MAY OCCUR	REF	SCALE: NONE	CAD FILE: BA45-75.SLDDRW	SHEET 1 OF 1