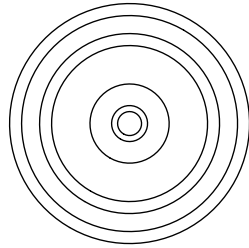
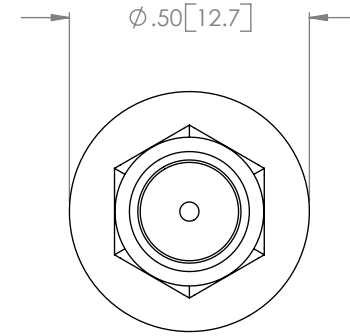
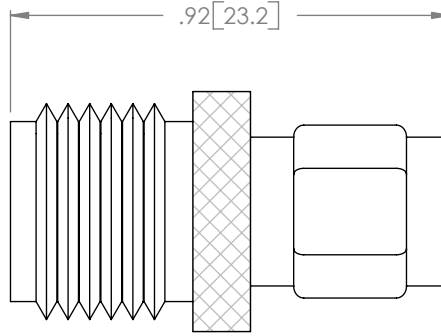


THE INFORMATION CONTAINED IN THIS DRAWING IS THE SOLE PROPERTY OF L-COM, INC., ANY REPRODUCTION IN PART OR WHOLE WITHOUT THE WRITTEN PERMISSION OF L-COM, INC. IS PROHIBITED.

REVISIONS			
REV	DESCRIPTION	DATE	CHANGED BY
A	RELEASED TO PRODUCTION	07/26/01	MCCORMICK
B	ECN 3129: UPDATE DWG FORMAT	12/21/07	D.GRIFFIN



TNC JACK



SMA PLUG

SPECIFICATIONS;

MATERIALS;

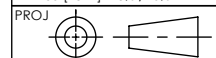
SHELL: BRASS
 CONTACTS: BRASS
 INSULATOR: TEFLON
 CENTER PIN: BRASS

FINISH;

SHELL: NICKEL PLATE
 CONTACT: NICKEL PLATE
 CENTER PIN: GOLD PLATE

RoHS Compliant ✓

UNLESS OTHERWISE SPECIFIED,
 DIMENSIONS ARE IN INCHES [mm]
 TOLERANCES TO BE:
 .X ±.1 [2.5] ANGLES ±2°
 .XX ±.01 [.25]
 .XXX ±.005 [.13]
 OVERALL CABLE LENGTH TOL:
 ≤ 60 [1524] +3 [76.2] / -0
 > 60 [1524] +5% / -0%



APPROVALS	DATE
DRAWN BY MCCORMICK	07/26/01
CHECKED BY D.PARHAM	07/26/01
APPROVED BY ENG	07/26/01

CONFIGURATION DETAILS OF
 UNDIMENSIONED FEATURES
 MAY VARY

	45 BEECHWOOD DRIVE NORTH ANDOVER, MA 01845	
	CATEGORY COAXIAL	
PRODUCT DESCRIPTION SMA PLUG TO TNC JACK		
SIZE A	FSCM NO. 43321	DWG. NO. BA580
SCALE: NONE CAD FILE: BA580.SLDDRW		REV. B