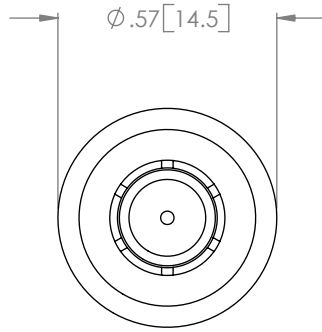
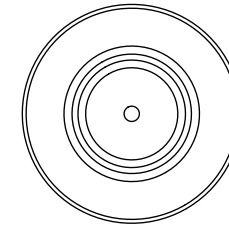
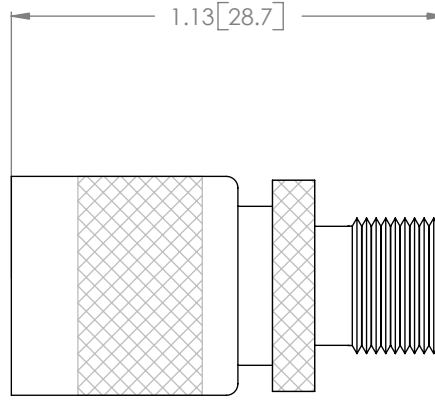


THE INFORMATION CONTAINED IN THIS DRAWING IS THE SOLE PROPERTY OF L-COM, INC. ANY REPRODUCTION IN PART OR WHOLE WITHOUT THE WRITTEN PERMISSION OF L-COM, INC. IS PROHIBITED.

REVISIONS			
REV	DESCRIPTION	DATE	CHANGED BY
A	RELEASED FOR PRODUCTION	08/02/01	MCCORMICK
B	ECN 1668 CHANGED BODY MATERIAL FROM STEEL	02/11/04	MCCORMICK
C	ECN #2871: REVISED SMA VIEW FROM PLUG TO JACK	5/31/07	D.FRISIELLO
D	ECN 3124: UPDATE DWG FORMAT	12/26/07	D.GRIFFIN



TNC PLUG



SMA JACK

NOTES:

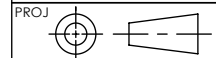
**MATERIAL:**  
 BODY: BRASS  
 INSULATOR: PTFE  
 PIN: BRASS

**FINISH:**  
 BODY: NICKEL PLATED  
 PIN: GOLD PLATED

**ELECTRICAL:**  
 IMPEDANCE: 50 OHM

**RoHS Compliant** ✓

UNLESS OTHERWISE SPECIFIED,  
 DIMENSIONS ARE IN INCHES [mm]  
 TOLERANCES TO BE:  
 .X ±.1 [2.5] ANGLES ±2°  
 .XX ±.01 [.25]  
 .XXX ±.005 [.13]  
 OVERALL CABLE LENGTH TOL:  
 ≤ 60 [1524] +3 [76.2] / -0  
 > 60 [1524] +5% / -0%



APPROVALS	DATE
DRAWN BY MCCORMICK	08/02/01
CHECKED BY D.PARHAM	08/02/01
APPROVED BY R.CARRICK	08/03/01

**L-com**  
 CONNECTIVITY PRODUCTS  
 45 BEECHWOOD DRIVE  
 NORTH ANDOVER, MA  
 01845

CATEGORY  
**COAXIAL**

PRODUCT DESCRIPTION  
**TNC PLUG TO SMA JACK**

SIZE <b>A</b>	FSCM NO. <b>43321</b>	DWG. NO. <b>BA589</b>	REV. <b>D</b>
------------------	--------------------------	--------------------------	------------------