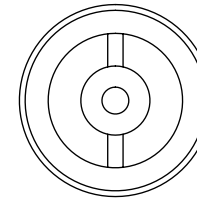
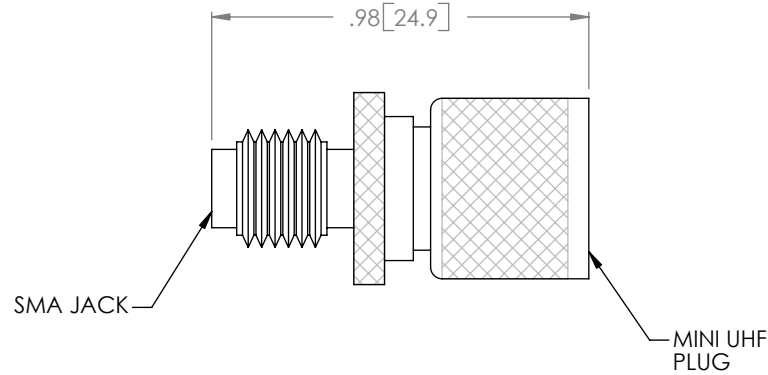
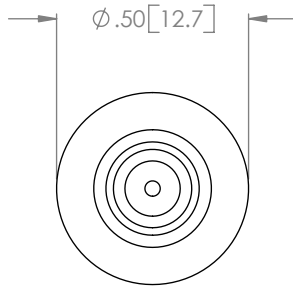


THE INFORMATION CONTAINED IN THIS DRAWING IS THE SOLE PROPERTY OF L-COM, INC. ANY REPRODUCTION IN PART OR WHOLE WITHOUT THE WRITTEN PERMISSION OF L-COM, INC. IS PROHIBITED.

REVISIONS			
REV	DESCRIPTION	DATE	CHANGED BY
A	RELEASED TO PRODUCTION	07/26/01	MCCORMICK
B	ECN 3131: UPDATE DWG FORMAT	12/27/07	D.GRIFFIN

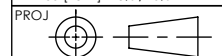


NOTES:

MATERIAL:
 BODY: BRASS
 INSULATION: WHITE TEFLON

FINISH:
 BODY: NICKEL PLATED

UNLESS OTHERWISE SPECIFIED,
 DIMENSIONS ARE IN INCHES [mm]
 TOLERANCES TO BE:
 .X ±.1 [2.5] ANGLES ±2°
 .XX ±.01 [.25]
 .XXX ±.005 [.13]
 OVERALL CABLE LENGTH TOL:
 ≤ 60 [1524] +3 [76.2] / -0
 > 60 [1524] +5% / -0%



APPROVALS		DATE
DRAWN BY	MCCORMICK	07/26/01
CHECKED BY	D.PARHAM	07/26/01
APPROVED BY	ENG	07/26/01

CONFIGURATION DETAILS OF
 UNDIMENSIONED FEATURES
 MAY VARY

	45 BEECHWOOD DRIVE NORTH ANDOVER, MA 01845	
	CATEGORY COAXIAL	
PRODUCT DESCRIPTION SMA JACK TO MINI UHF PLUG		
SIZE A	FSCM NO. 43321	DWG. NO. BA591
SCALE: NONE CAD FILE: BA591.SLDDRW		REV. B
SHEET 1 OF 1		