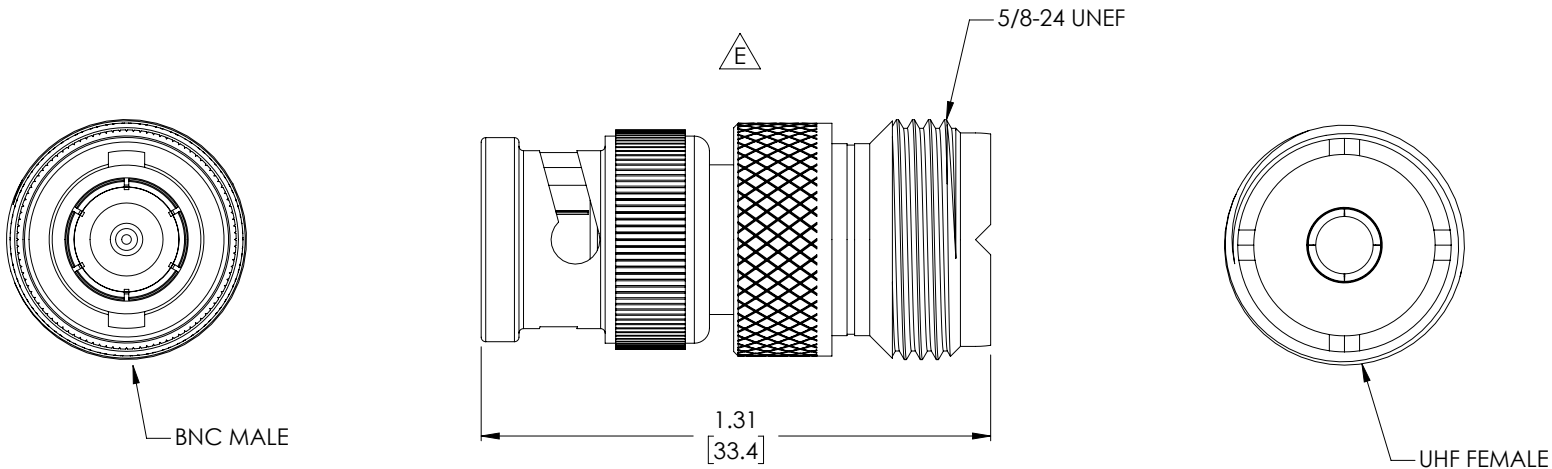


THE INFORMATION CONTAINED IN THIS DRAWING IS THE SOLE PROPERTY OF L-COM, INC. ANY REPRODUCTION IN PART OR WHOLE WITHOUT THE WRITTEN PERMISSION OF L-COM, INC. IS PROHIBITED.

REVISIONS			
REV	DESCRIPTION	DATE	APPROVED
E	ECN 11908 UPDATE DRAWING	06/23/2022	SRAUTUS



**NOTES:**


**PACKAGING:** COMPONENT SHALL BE INDIVIDUALLY PACKAGED IN ACCORDANCE WITH L-COM SPEC PS-0031

**MATERIAL:** BODY: BRASS  
INSULATOR: DELRIN  
CONTACT: BRASS

**FINISH:** BODY: NICKEL PLATED  
CONTACTS: GOLD PLATED OVER NICKEL UNDERPLATING

**IMPEDANCE:** 50 OHM

**REGULATORY COMPLIANCE:**  
EU RoHS DIRECTIVE (MOST RECENT RELEASED VERSION)

UNLESS OTHERWISE SPECIFIED, DIMENSIONS ARE IN INCHES [mm] OVERALL CABLE LENGTH TOLERANCE: ≤12 [305] = +1 [25] / -0 >12 [305] ≤60 [1524] = +2 [51] / -0 >60 [1524] ≤120 [3048] = +4 [102] / -0 >120 [3048] ≤300 [7620] = +6 [152] / -0 >300 [7620] = +5% / -0 ALL OTHER DIMENSIONAL TOLERANCES: .X = ± .2 [5]      FRACTIONS ± 1/32 .XX = ± .02 [.5]      ANGLES ± 1° .XXX = ± .005 [.13]	APPROVALS	DATE	 50 High Street, West Mill, North Andover, MA 01845 USA. Phone: 1.800.341.5266 1.978.682.6936	
	DRAWN BY MCCORMICK	12/04/2001		CATEGORY <b>COAXIAL</b>
	CHECKED BY	12/04/2001		
APPROVED BY	12/04/2001	PRODUCT DESCRIPTION <b>ADAPTOR BNC M/UHF F</b>		
THIRD-ANGLE PROJECTION	COLOR VARIATIONS MAY OCCUR	SIZE <b>A</b> CAGE CODE <b>43321</b> ITEM NO. <b>BA60</b>	REV. <b>E</b>	
		SCALE: NONE	CAD FILE: BA60.SLDDRW	
		SHEET 1 OF 1		