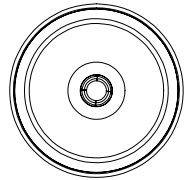


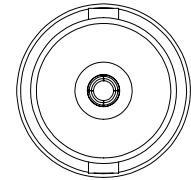
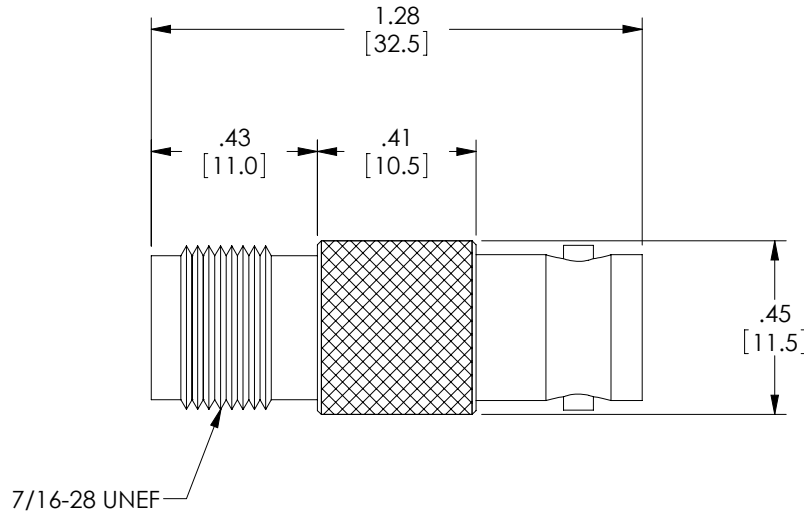
THE INFORMATION CONTAINED IN THIS DRAWING IS THE SOLE PROPERTY OF L-COM, INC. ANY REPRODUCTION IN PART OR WHOLE WITHOUT THE WRITTEN PERMISSION OF L-COM, INC. IS PROHIBITED.

REVISIONS			
REV	DESCRIPTION	DATE	APPROVED
A	INITIAL RELEASE	6/11/07	C. BERUBE
B	ECN 5032: UPDATED TO NEW SUPPLIER SPECS	9/15/10	D. CASTRO

DESCRIPTION	MATERIAL	FINISH
BODY	BRASS	NICKEL
DIELECTRIC	DELRIN	-
CENTER PIN	BRASS	GOLD



TNC JACK



BNC JACK

RoHS Compliant ✓

NOTES:

1. ADAPTOR TO BE INDIVIDUALLY PACKAGED IN ACCORDANCE WITH L-COM SPEC. PS-0031.

UNLESS OTHERWISE SPECIFIED, DIMENSIONS ARE IN INCHES [mm] OVERALL CABLE LENGTH TOLERANCE: ≤12 [305] = +1 [25] / -0 >12 [305] ≤60 [1524] = +2 [51] / -0 >60 [1524] ≤120 [3048] = +4 [102] / -0 >120 [3048] ≤300 [7620] = +6 [152] / -0 >300 [7620] = +3% / -0% ALL OTHER DIMENSIONAL TOLERANCES: .X = ±.2 .XX = ±.02 .XXX = ±.005	APPROVALS DRAWN BY C. BERUBE CHECKED BY J. ROBERTS APPROVED BY D. DOLCE	DATE 5/22/07 6/11/07 6/11/07	45 BEECHWOOD DRIVE NORTH ANDOVER, MA 01845		
	CONFIGURATION DETAILS OF UNDIMENSIONED FEATURES MAY VARY			CATEGORY COAXIAL	
PROJECTION 	COLOR VARIATIONS MAY OCCUR	SIZE A	FSCM NO. 43321	DWG. NO. BA70	REV. B
SCALE: NONE		CAD FILE: BA70.SLDDRW		SHEET 1 OF 1	