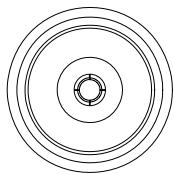


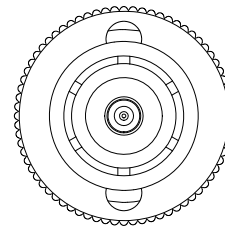
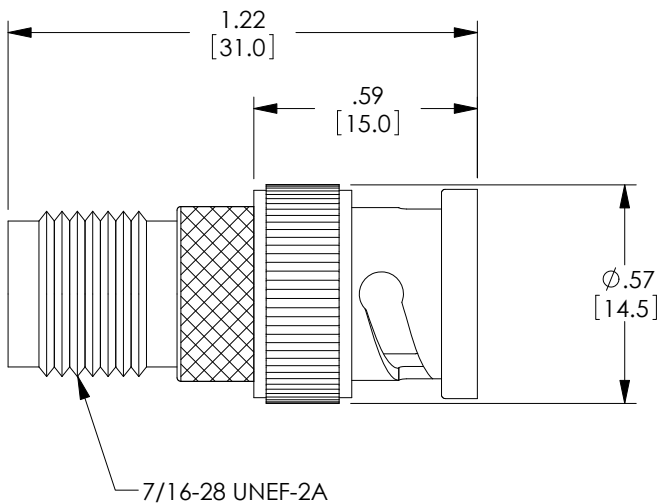
THE INFORMATION CONTAINED IN THIS DRAWING IS THE SOLE PROPERTY OF L-COM, INC. ANY REPRODUCTION IN PART OR WHOLE WITHOUT THE WRITTEN PERMISSION OF L-COM, INC. IS PROHIBITED.

REVISIONS			
REV	DESCRIPTION	DATE	APPROVED
A	INITIAL RELEASE	6/11/07	C.BERUBE
B	ECN 5206: CREATE MODEL, NEW DRAWING FORMAT	12/14/10	D.FRISIELLO

DESCRIPTION	MATERIAL	FINISH
BODY	BRASS	NICKEL PLATE
CONTACTS	BRASS	GOLD PLATE
RETAINING NUT	ZINC ALLOY	NICKEL PLATE
INSULATOR	ACETAL	-



TNC FEMALE ADAPTER



BNC MALE PLUG

NOTES:

MISCELLANEOUS:  
IMPEDANCE: 50 OHM.

ALL DIMENSIONS ARE FOR REFERENCE ONLY.

ADAPTER SHALL BE INDIVIDUALLY PACKAGED IN ACCORDANCE WITH L-COM SPECIFICATION PS-0031.



RoHS Compliant ✓



UNLESS OTHERWISE SPECIFIED, DIMENSIONS ARE IN INCHES [mm] OVERALL CABLE LENGTH TOLERANCE: $\leq 12$ [305] = +1 [25] / -0 $>12$ [305] $\leq 60$ [1524] = +2 [51] / -0 $>60$ [1524] $\leq 120$ [3048] = +4 [102] / -0 $>120$ [3048] $\leq 300$ [7620] = +6 [152] / -0 $>300$ [7620] = +3% / -0% ALL OTHER DIMENSIONAL TOLERANCES: .X = ± .2 .XX = ± .02 .XXX = ± .005	APPROVALS C.BURUBE CHECKED BY J.ROBERTS APPROVED BY D.DOLCE	DATE 5/22/07 6/11/07 6/11/07	45 BEECHWOOD DRIVE NORTH ANDOVER, MA 01845
	CONFIGURATION DETAILS OF UNDIMENSIONED FEATURES MAY VARY		
PROJECTION 	COLOR VARIATIONS MAY OCCUR	SIZE <b>A</b>	FSCM NO. <b>43321</b>
		DWG. NO. <b>BA71</b>	REV. <b>B</b>
		SCALE: NONE	CAD FILE: BA71.SLDDRW
		SHEET 1 OF 1	