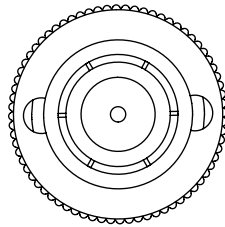
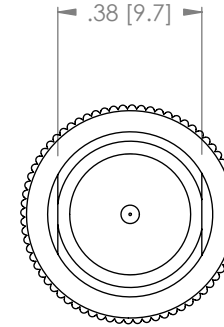
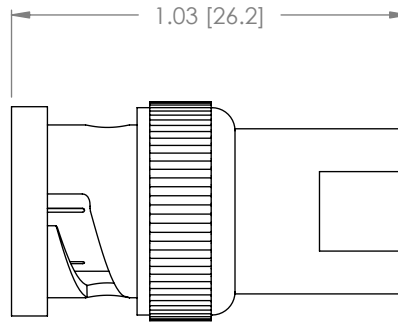


THE INFORMATION CONTAINED IN THIS DRAWING IS THE SOLE PROPERTY OF L-COM, INC. ANY REPRODUCTION IN PART OR WHOLE WITHOUT THE WRITTEN PERMISSION OF L-COM, INC. IS PROHIBITED.

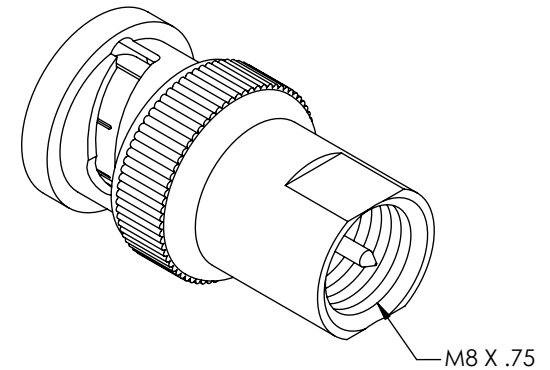
REVISIONS			
REV	DESCRIPTION	DATE	CHANGED BY
A	RELEASED FOR PRODUCTION	3/28/02	TJC
B	ECN 3131: UPDATE DWG FORMAT	12/28/07	D.GRIFFIN



BNC PLUG



FME PLUG



NOTES:

MATERIAL:

BODY: BRASS
 CENTER PINS: NICKEL
 INSULATOR: ACETAL

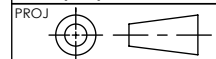
FINISH:

BODY: NICKEL PLATED
 CENTER PINS: GOLD PLATED

NOTE:

1. CHARACTERISTIC IMPEDANCE: 75 OHMS

UNLESS OTHERWISE SPECIFIED,
 DIMENSIONS ARE IN INCHES [mm]
 TOLERANCES TO BE:
 .X ±.1 [2.5] ANGLES ±2°
 .XX ±.01 [.25]
 .XXX ±.005 [.13]
 OVERALL CABLE LENGTH TOL:
 ≤ 60 [1524] +3 [76.2] / -0
 > 60 [1524] +5% / -0%



APPROVALS	DATE
DRAWN BY TJC	3/28/02
CHECKED BY DFP	3/28/02
APPROVED BY CM	3/28/02

CONFIGURATION DETAILS OF
 UNDIMENSIONED FEATURES
 MAY VARY

L-com CONNECTIVITY PRODUCTS		45 BEECHWOOD DRIVE NORTH ANDOVER, MA 01845	
CATEGORY COAXIAL			
PRODUCT DESCRIPTION BNC PLUG TO FME PLUG			
SIZE A	FSCM NO. 43321	DWG. NO. BA8005	REV. B
SCALE: NONE		CAD FILE: BA8005.SLDDRW	SHEET 1 OF 1