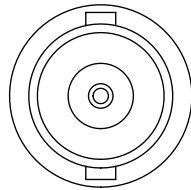
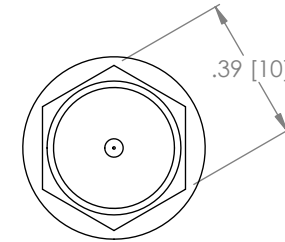
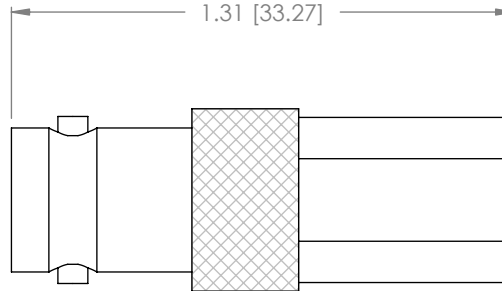


THE INFORMATION CONTAINED IN THIS DRAWING IS THE SOLE PROPERTY OF L-COM, INC. ANY REPRODUCTION IN PART OR WHOLE WITHOUT THE WRITTEN PERMISSION OF L-COM, INC. IS PROHIBITED.

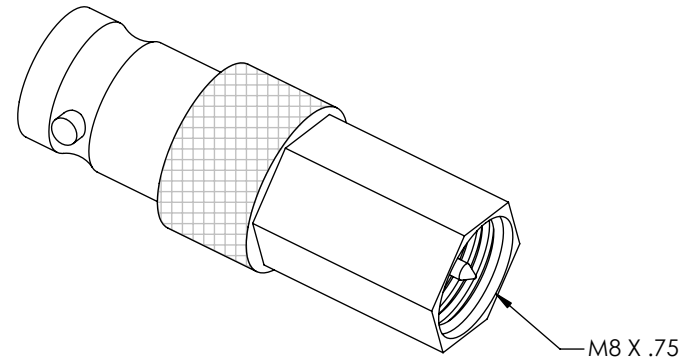
REVISIONS			
REV	DESCRIPTION	DATE	CHANGED BY
A	RELEASED FOR PRODUCTION	3/28/02	MCCORMICK
B	ECN 3131: UPDATE DWG FORMAT	12/28/07	D.GRIFFIN



BNC JACK



FME PLUG



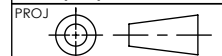
NOTES:

**MATERIAL:**  
 BODY: BRASS  
 DIELECTRIC: ACETAL  
 CONTACT: BRASS

**FINISH:**  
 BODY: NICKEL PLATED  
 CONTACT: GOLD PLATED

NOTES:  
 1. CHARACTERISTIC IMPEDANCE: 50 OHMS

UNLESS OTHERWISE SPECIFIED,  
 DIMENSIONS ARE IN INCHES [mm]  
 TOLERANCES TO BE:  
 .X ±.1 [2.5] ANGLES ±2°  
 .XX ±.01 [.25]  
 .XXX ±.005 [.13]  
 OVERALL CABLE LENGTH TOL:  
 ≤ 60 [1524] +3 [76.2] / -0  
 > 60 [1524] +5% / -0%



APPROVALS	DATE
DRAWN BY TJC	3/27/02
CHECKED BY DFF	3/28/02
APPROVED BY CM	3/28/02

CONFIGURATION DETAILS OF  
 UNDIMENSIONED FEATURES  
 MAY VARY

	45 BEECHWOOD DRIVE NORTH ANDOVER, MA 01845	
	CATEGORY COAXIAL	
PRODUCT DESCRIPTION BNC TO FME ADAPTOR		
SIZE <b>A</b>	FSCM NO. <b>43321</b>	DWG. NO. BA8016
SCALE: NONE   CAD FILE: BA8016.SLDDRW		REV. <b>B</b>
SHEET 1 OF 1		