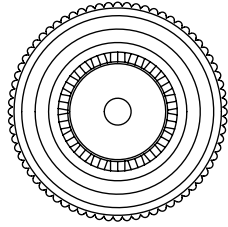
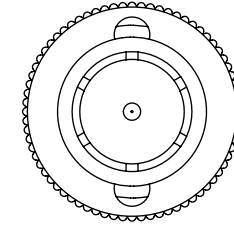
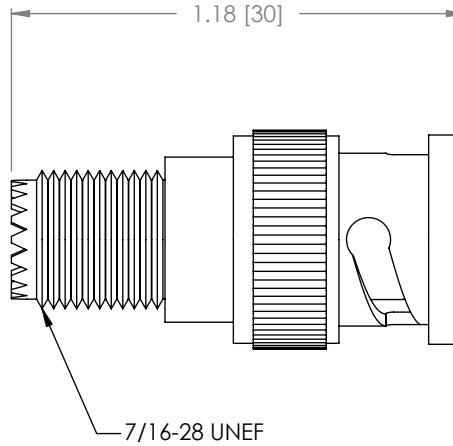


THE INFORMATION CONTAINED IN THIS DRAWING IS THE SOLE PROPERTY OF L-COM, INC. ANY REPRODUCTION IN PART OR WHOLE WITHOUT THE WRITTEN PERMISSION OF L-COM, INC. IS PROHIBITED.

REVISIONS			
REV	DESCRIPTION	DATE	CHANGED BY
A	INITIAL RELEASE	05/02/03	MCCORMICK
B	ECN 3134: UPDATE DWG FORMAT	12/31/07	D.GRIFFIN



MINI UHF JACK



BNC PLUG

SPECIFICATIONS:

MATERIALS:

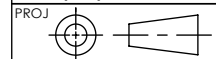
SHELL: BRASS
 CONTACTS: BRASS
 INSULATOR: TEFLON OR DELRIN
 CENTER PIN: BRASS

FINISH:

SHELL: NICKEL PLATE
 CONTACT: NICKEL PLATE
 CENTER PIN: GOLD PLATE

RoHS Compliant ✓

UNLESS OTHERWISE SPECIFIED,
 DIMENSIONS ARE IN INCHES [mm]
 TOLERANCES TO BE:
 .X ±.1 [2.5] ANGLES ±2°
 .XX ±.01 [.25]
 .XXX ±.005 [.13]
 OVERALL CABLE LENGTH TOL:
 ≤ 60 [1524] +3 [76.2] / -0
 > 60 [1524] +5% / -0%



APPROVALS	DATE
DRAWN BY C.MCCORMICK	05/01/2003
CHECKED BY D.PARHAM	05/01/2003
APPROVED BY R.CARRICK	05/01/2003

CONFIGURATION DETAILS OF
 UNDIMENSIONED FEATURES
 MAY VARY

L-com CONNECTIVITY PRODUCTS		45 BEECHWOOD DRIVE NORTH ANDOVER, MA 01845	
CATEGORY COAXIAL			
PRODUCT DESCRIPTION ADAPTOR MINI-UHF F/BNC M			
SIZE A	FSCM NO. 43321	DWG. NO. BA882	REV. B
SCALE: NONE		CAD FILE: BA882.SLDDRW	
SHEET 1 OF 1			