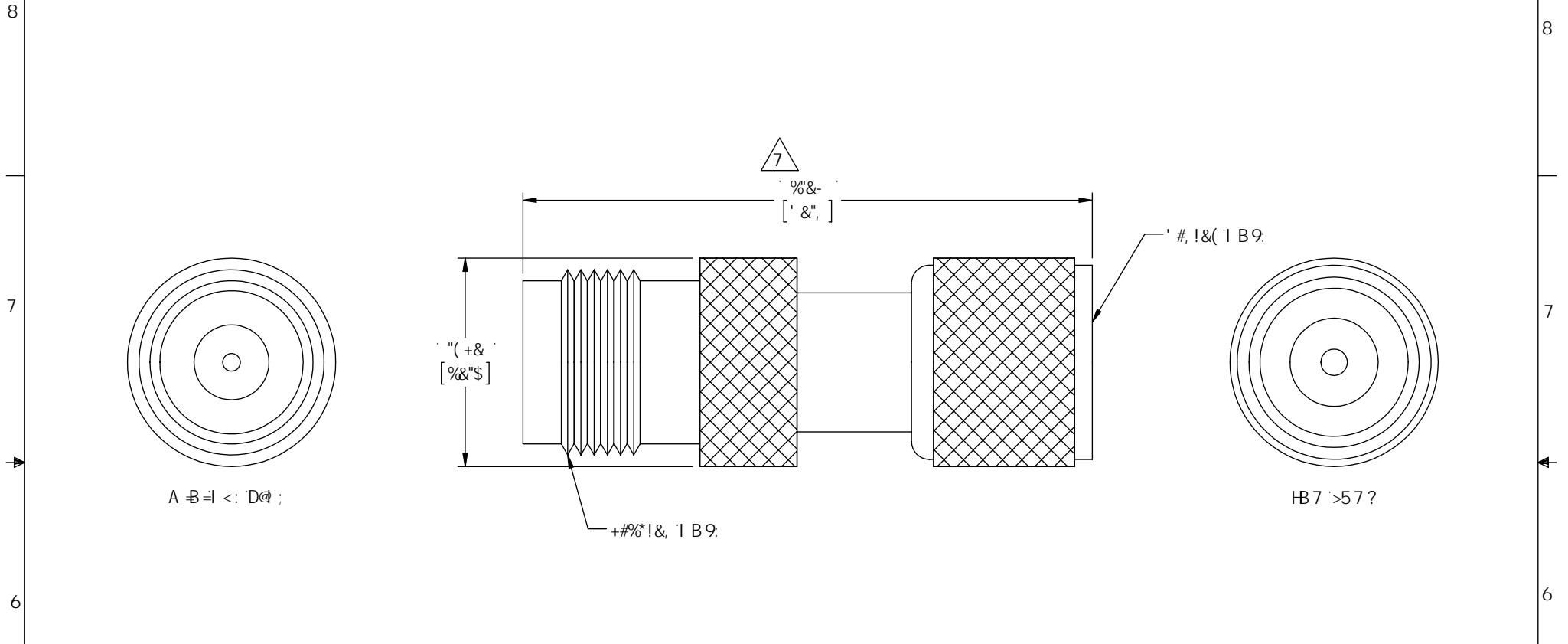


H:9`B: CFA 5HC B`7 C B H 5-B 98`B`H:G`8F5K B: `G`H:9`GC @9
 DFC D9F HMC: @7 CA Z-B7`5B MF 9DFC 81 7 HC B`B D5FHC F K <C @9
 K H:C I H H:9 K F H B B D9FA GGC B C: @7 CA Z-B7`GDFC <6+98`

F9J 6C BG			
F9J	89G7 F-DHC B	85H9	5DDFCJ 98
5	B +H5 @F 9@95 G9	\$) #S&#S'	A 77 CFA -7?
6	97 B`% (.1 D85H9 8K: : CFA 5H	%&#`%#S+	8": F=: B
7	97 B`*+\$.1 D8`D5FH/`8FK : CFA`7<B: @9B: H: : FCA`''`)'`HC`' &,' a a	+#`#%&	8`89G-5F8 B



7
 BCHG
 A 5HF-5G
 G< 9@@ 6F5GG
 B G @5HC F: 89@F B
 7 9B H9F`D-B: 6F5GG
 : B-G:
 G< 9@@`B 7? 9@D@5H9
 7 9B H9F`D-B: ; C @8`D@5H9
 9@7 HF-7 5@
 A D985B7 9.) \$`C <A
 A -G 9@5B9C I G
 7 CA DC B9B HG<5 @@69`B 8-# 81 5 @MD57?5; 98`B`577 CF85B7 9
 K H: @7 CA `GD97 ÷ 7 5HC B`DQ`\$\$`%`

7 Fc< G`7ca d`]UbH`U

1 B @9GC H:9F K @9 GD97 ÷ 982 8 A 9B GC BG 5F9 B`B7 <9G Q: a Q C J 9F 5 @7 5 6 @9 @9B: H: HC @9F 5B 7 9. @9@ O S) Q1 2% Q) Q#1 S 2% & O S) Q# 5 Q) & (Q1 Z & Q %Q#1 S 2`S`O) & O`%#S O S(, Q1 Z(O`%&O#1 S 2`%&S`O S(Q#`S S`O`85Q1 Z`O) 8Q#1 S 2`S S`O`85Q1 Z) ; #1 S	5DDFCJ 5@G 8F5K B 6M 7`A 77 CFA -7? 7< 977 98 6M 8`D5F<5A 5DDFCJ 98 6M F`7 5FF-7?	85H9 \$) #S`%#S`S' \$) #S`%#S`S' \$) #S`%#S`S`S`	L-com Global Connectivity () 6997 <K CC 8 8F J 9 BC FH: 5B 8C J 9F ZA 5 \$% ()
5 @C H: 9F 8 A 9B GC B 5 @HC @9F 5B 7 9G L L 1 -`& L L L 1 -`S & L L L 1 -`S S	7 CB: ÷ 1 F 5HC B 8 9H 5 @GC: 1 B 8 A 9B GC B 98: 95 H F 9G A 5M J 5F M	DFC 81 7 H 8 9G 7 F-DHC B	75H9: CFM 7 C 5 L 5 @
DFC >97 HC B 	7 C @CF J 5 F 5 HC BG A 5M C 7 7 I F	GAN 5 :G7 A BC` BK: ``BC` (`' &% 65, , * F9J` 7	585 DHC F A B #I <: `A #B 7 : G< 99H % C: %
F9:		G7 5 @9: BC B 9	7 5 8: @9: ``65: ``G 8 8 F K