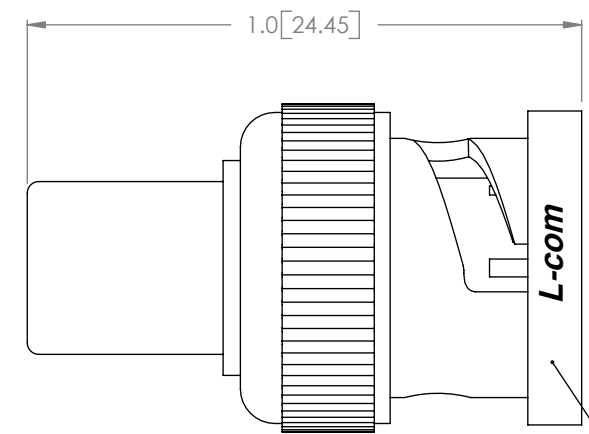
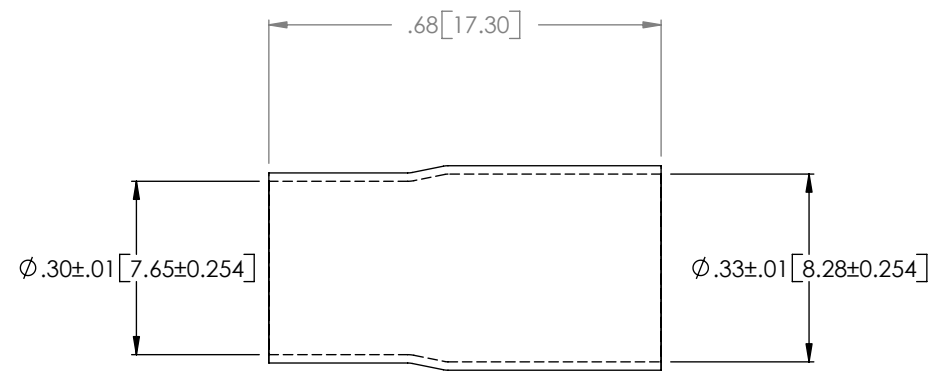
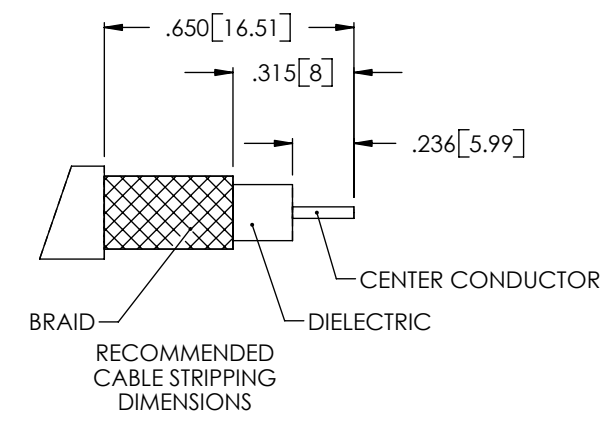
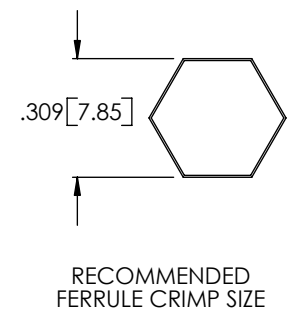


THE INFORMATION CONTAINED IN THIS DRAWING IS THE SOLE PROPERTY OF L-COM, INC. ANY REPRODUCTIONS IN PART OR WHOLE WITHOUT THE WRITTEN PERMISSION OF L-COM, INC. IS PROHIBITED.

REVISIONS			
REV	DESCRIPTION	DATE	CHANGED BY
E	ECN 3150: UPDATE DWG FORMAT	1/17/08	D.GRIFFIN



BAC042 TO APPEAR ON OPPOSITE SIDE FROM "L-COM"



NOTES:

MATERIAL:
 BODY: BRASS
 FERRULE: BRASS OR COPPER ALLOY
 PIN: BRASS
 INSULATOR: ACETAL

FINISH:
 BODY: NICKEL PLATE
 FERRULE: NICKEL PLATE
 PIN: GOLD FLASH

ELECTRICAL:
 IMPEDANCE: 75 OHM

PACKAGING:
 INDIVIDUALLY PACKAGE EACH ASSEMBLY UTILIZING APPROPRIATE SIZED BAG

APPLICATION: RG6-Q PLENUM COAXIAL CABLE ASSEMBLIES

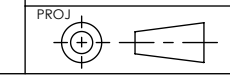
RoHS Compliant ✓

UNLESS OTHERWISE SPECIFIED, DIMENSIONS ARE IN INCHES [mm]
 TOLERANCES TO BE:
 .X ±.1 [2.5] ANGLES ±2°
 .XX ±.01 [.25]
 .XXX ±.005 [.13]
 OVERALL CABLE LENGTH TOL:
 ≤ 60 [1524] +3 [76.2] / -0
 > 60 [1524] +5% / -0%

APPROVALS	DATE
DRAWN BY C.MCCORMICK	05/01/2001
CHECKED BY D.PARHAM	05/03/2001
APPROVED BY R.CARRICK	05/04/2001

L-com 45 BEECHWOOD DRIVE
 NORTH ANDOVER, MA 01845

CATEGORY: COAXIAL
 PRODUCT DESCRIPTION: CONNECTOR BNC M RG6-Q CRIMP



SIZE	FSCM NO.	DWG. NO.	REV.
B	43321	BAC042	E