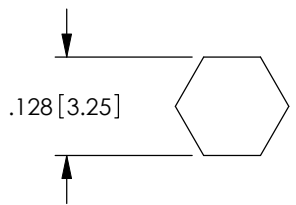
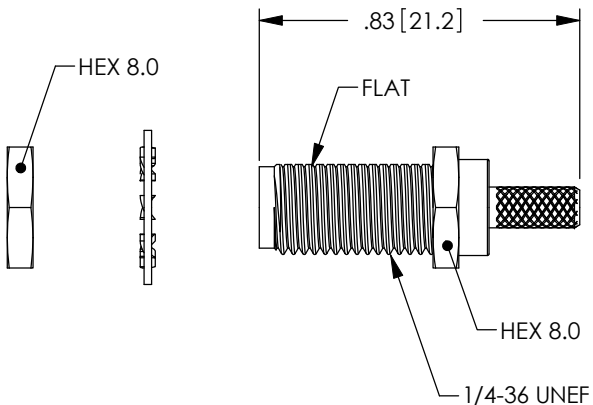


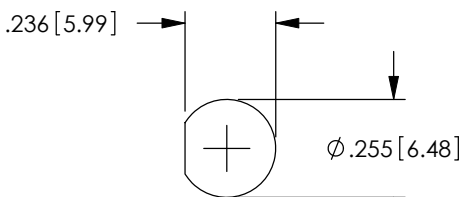
THE INFORMATION CONTAINED IN THIS DRAWING IS THE SOLE PROPERTY OF L-COM, INC. ANY REPRODUCTION IN PART OR WHOLE WITHOUT THE WRITTEN PERMISSION OF L-COM, INC. IS PROHIBITED.

REVISIONS			
REV	DESCRIPTION	DATE	APPROVED
G	ECN 3155: UPDATE DWG FORMAT	1/18/08	D.GRIFFIN
H	ECN 3379: CHGD DIM [1067] TO [13.1]	6/9/08	D.GRIFFIN
J	ECN 5189: REVISED PIN LENGTH, FERRULE I.D., STRIPPING DIMS & NEW FORMAT	12/6/10	D.FRISIELLO
K	ECN 5308: ADD MATERIALS BLOCK, REVISED NOTES/DRAWING	2/14/11	D.FRISIELLO

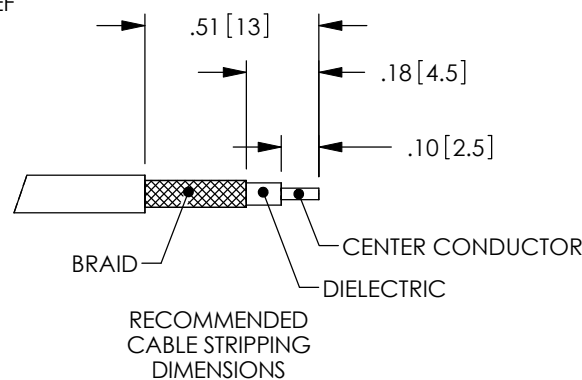
DESCRIPTION	MATERIAL	FINISH
BODY	BRASS	GOLD PLATED
DIELECTRIC	PTFE	-
CONTACT PIN	BRASS	GOLD PLATED
FERRULE	BRASS	GOLD PLATED
WASHER	BRASS	GOLD PLATED
NUT	BRASS	GOLD PLATED



RECOMMENDED FERRULE CRIMP SIZE



RECOMMENDED PANEL OPENING



RECOMMENDED CABLE STRIPPING DIMENSIONS

NOTES:

ELECTRICAL:
 IMPEDANCE: 50 OHMS
 DIELECTRIC WITHSTANDING VOLTAGE: 1000 Vrms
 FREQUENCY RANGE: DC~6 GHz
 VOLTAGE RATING: 500V PEAK
 DURABILITY: ≥ 500 CYCLES
 CABLE RETENTION: 30 POUNDS PULL

MISCELLANEOUS:
 COMPONENTS SHALL BE INDIVIDUALLY PACKAGED IN ACCORDANCE WITH L-COM SPECIFICATION PS-0031.

ALL DIMENSIONS ARE FOR REFERENCE ONLY.

RoHS Compliant ✓

UNLESS OTHERWISE SPECIFIED, DIMENSIONS ARE IN INCHES [mm] OVERALL CABLE LENGTH TOLERANCE: ≤12 [305] = +1 [25] / -0 >12 [305] ≤60 [1524] = +2 [51] / -0 >60 [1524] ≤120 [3048] = +4 [102] / -0 >120 [3048] ≤300 [7620] = +6 [152] / -0 >300 [7620] = +3% / -0% ALL OTHER DIMENSIONAL TOLERANCES: .X = ±.2 .XX = ±.02 .XXX = ±.005	APPROVALS DRAWN BY C.MCCORMICK CHECKED BY D.PARHAM APPROVED BY R.CARRICK	DATE 01/16/2003 01/16/2003 01/16/2003	45 BEECHWOOD DRIVE NORTH ANDOVER, MA 01845
	CONFIGURATION DETAILS OF UNDIMENSIONED FEATURES MAY VARY		
PROJECTION 	COLOR VARIATIONS MAY OCCUR	SIZE A	FSCM NO. 43321
		DWG. NO. BAC503	REV. K
		SCALE: NONE	CAD FILE: BAC503.SLDDRW
		SHEET 1 OF 1	

PRODUCT DESCRIPTION
SMA STR F RP FOR RG316/174