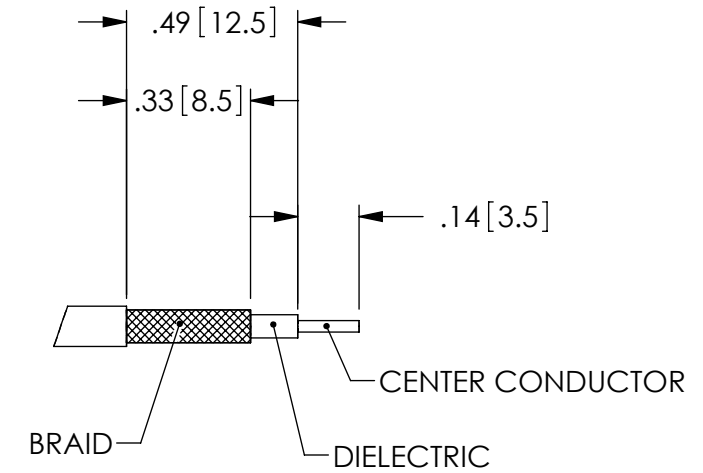
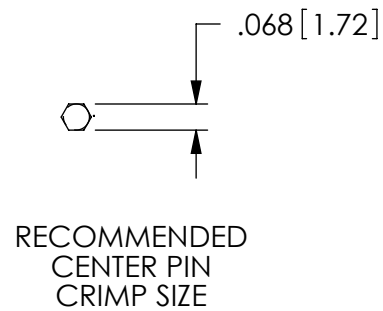
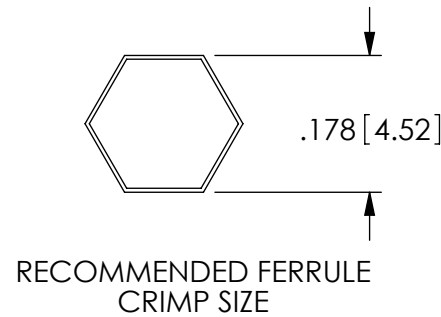
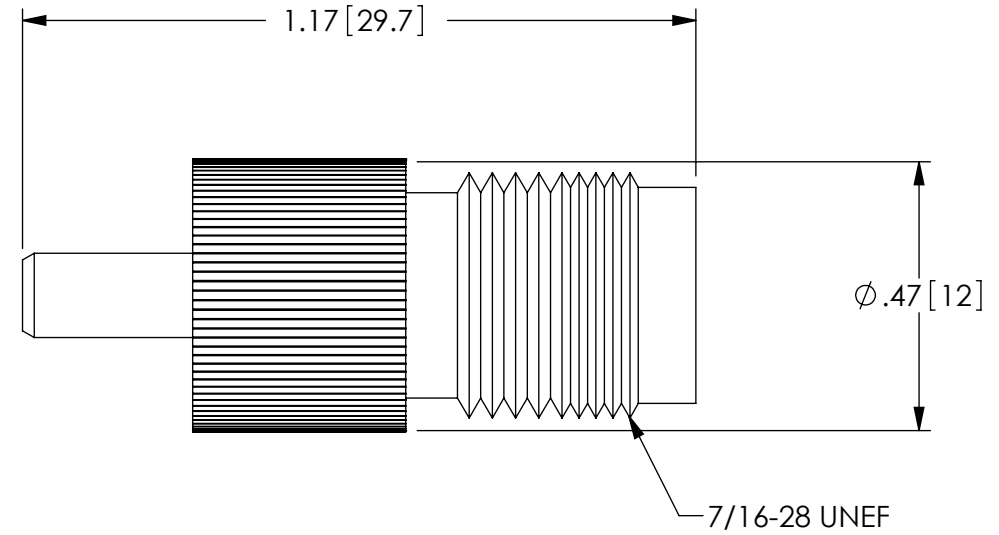
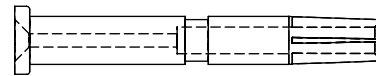
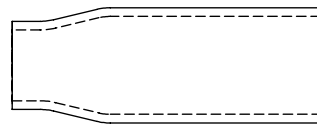


THE INFORMATION CONTAINED IN THIS DRAWING IS THE SOLE PROPERTY OF L-COM, INC. ANY REPRODUCTIONS IN PART OR WHOLE WITHOUT THE WRITTEN PERMISSION OF L-COM, INC. IS PROHIBITED.

REVISIONS			
REV	DESCRIPTION	DATE	CHANGED BY
A	INITIAL RELEASE	01/10/06	MCCORMICK
B	ECN 3165: UPDATE DWG FORMAT	1/21/08	D.GRIFFIN
C	ECN 4339: REVISED DRAWING TO MATCH SUPPLIER	11/3/09	D.FRISIELLO

DESCRIPTION	MATERIAL	FINISH
BODY	BRASS	NICKEL
INSULATOR	ACTEAL	-
PIN	BRASS	GOLD
FERRULE	BRASS	NICKEL
PLASTIC TUBE	ACTEAL	-



NOTES:

IMPEDANCE: 50 OHM

PACKAGING:  
COMPONENT ASSEMBLY SHALL BE INDIVIDUALLY PACKAGED IN ACCORDANCE WITH L-COM SPECIFICATION PS-0031.

APPLICATION:  
RECOMMENDED APPLICATION: RG174, RG188, RG316 COAXIAL CABLE.

UNLESS OTHERWISE SPECIFIED, DIMENSIONS ARE IN INCHES [mm]  
 OVERALL CABLE LENGTH TOLERANCE:  
 ≤12 [305] = +1 [25] / -0  
 >12 [305] ≤60 [1524] = +2[51] / -0  
 >60 [1524] ≤120 [3048] = +4 [102] / -0  
 >120 [3048] ≤300 [7620] = +6 [152] / -0  
 >300 [7620] = +5% / -0%  
 ALL OTHER DIMENSIONAL TOLERANCES:  
 .X = ±.2  
 .XX = ±.02  
 .XXX = ±.005

APPROVALS	DATE
DRAWN BY C.MCCORMICK	01/10/2006
CHECKED BY MLAHEY	01/10/2006
APPROVED BY D.PARHAM	01/10/2006

**L-com** Global Connectivity  
 45 BEECHWOOD DRIVE  
 NORTH ANDOVER, MA 01845

CATEGORY COAXIAL	
PRODUCT DESCRIPTION CONN TNC F RG174 CRIMP	
SIZE <b>B</b>	FSCM NO. <b>43321</b>
DWG. NO. BAC514	REV. C
SCALE: 1:1	CAD FILE: BAC514.SLDDRW
SHEET 1 OF 1	

